



KAWA

Części zamienne do urządzeń:

WEGA



GASTROPARTS Sp. J.

Klonowica 37
87-100 Toruń

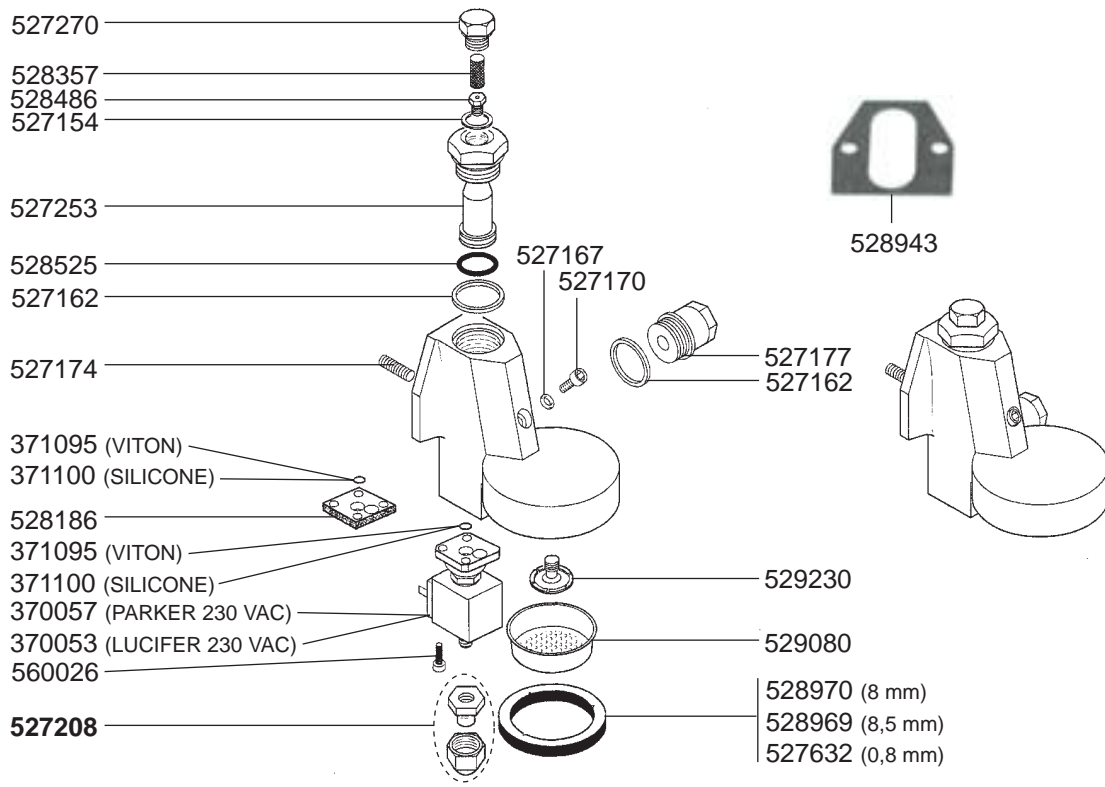
tel. +48 56 657 00 68

fax +48 56 657 00 67

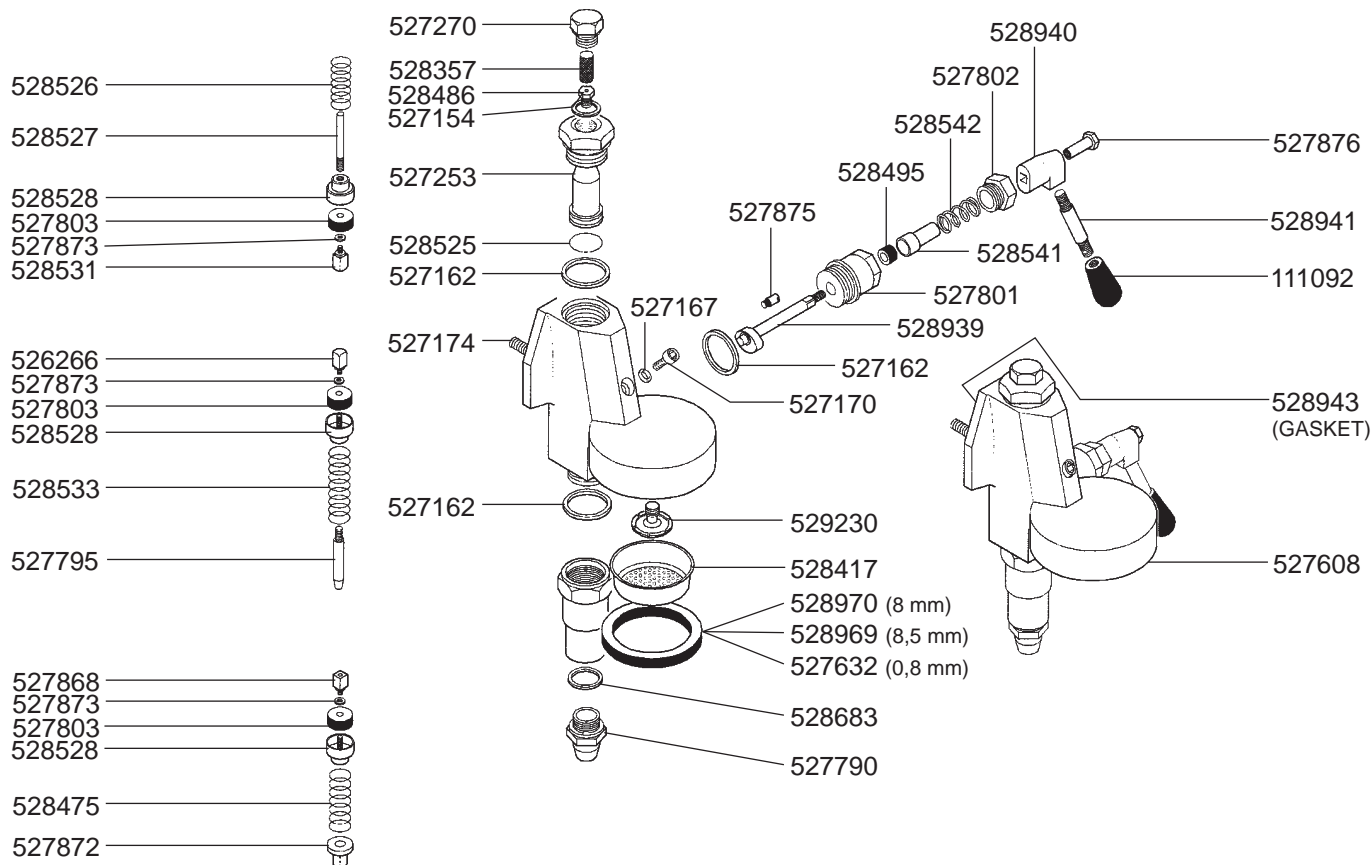
gastroparts@gastroparts.pl



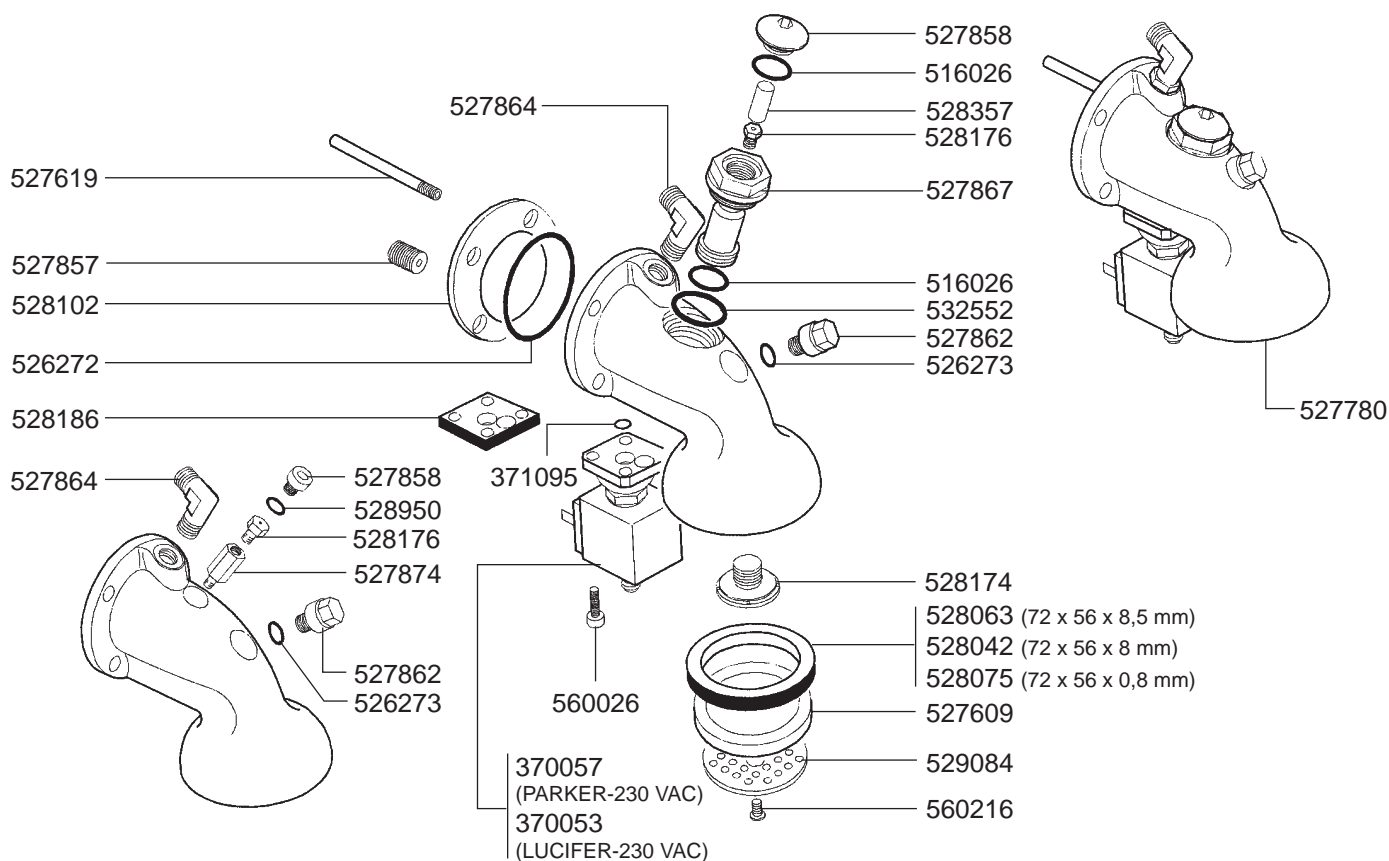
SOLENOID GROUP



MANUAL GROUP



SOLENOID GROUP



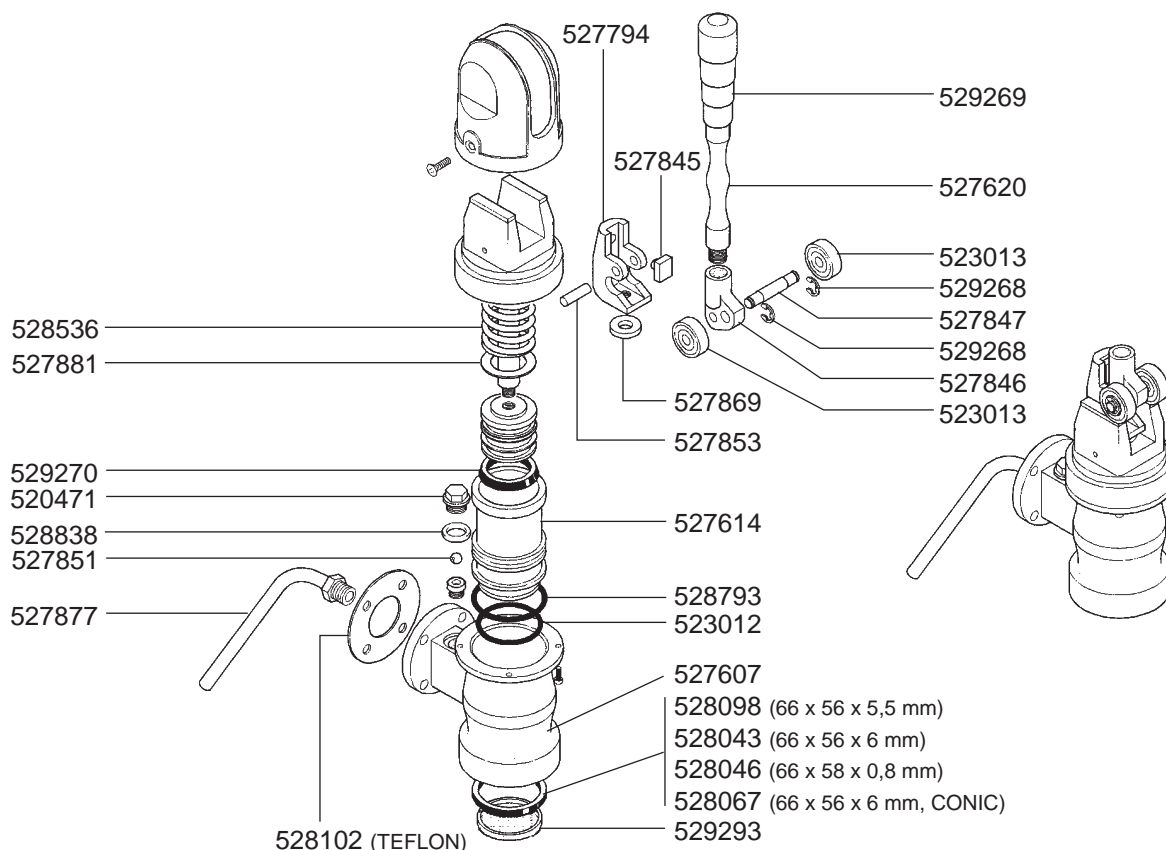
FILTER HOLDERS



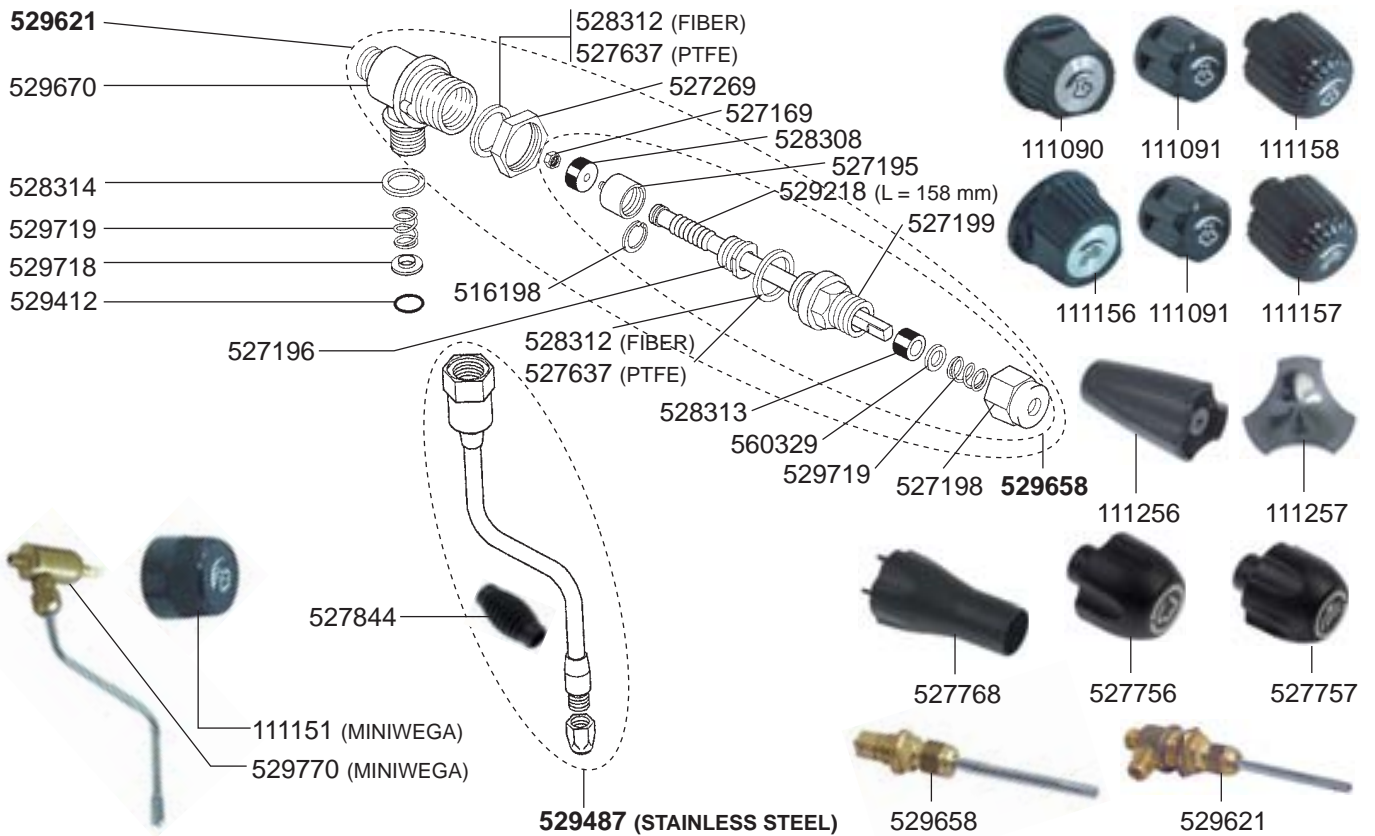
FILTER HOLDERS



LEVER GROUP



STEAM/WATER TAPS



STEAM/WATER TAPS

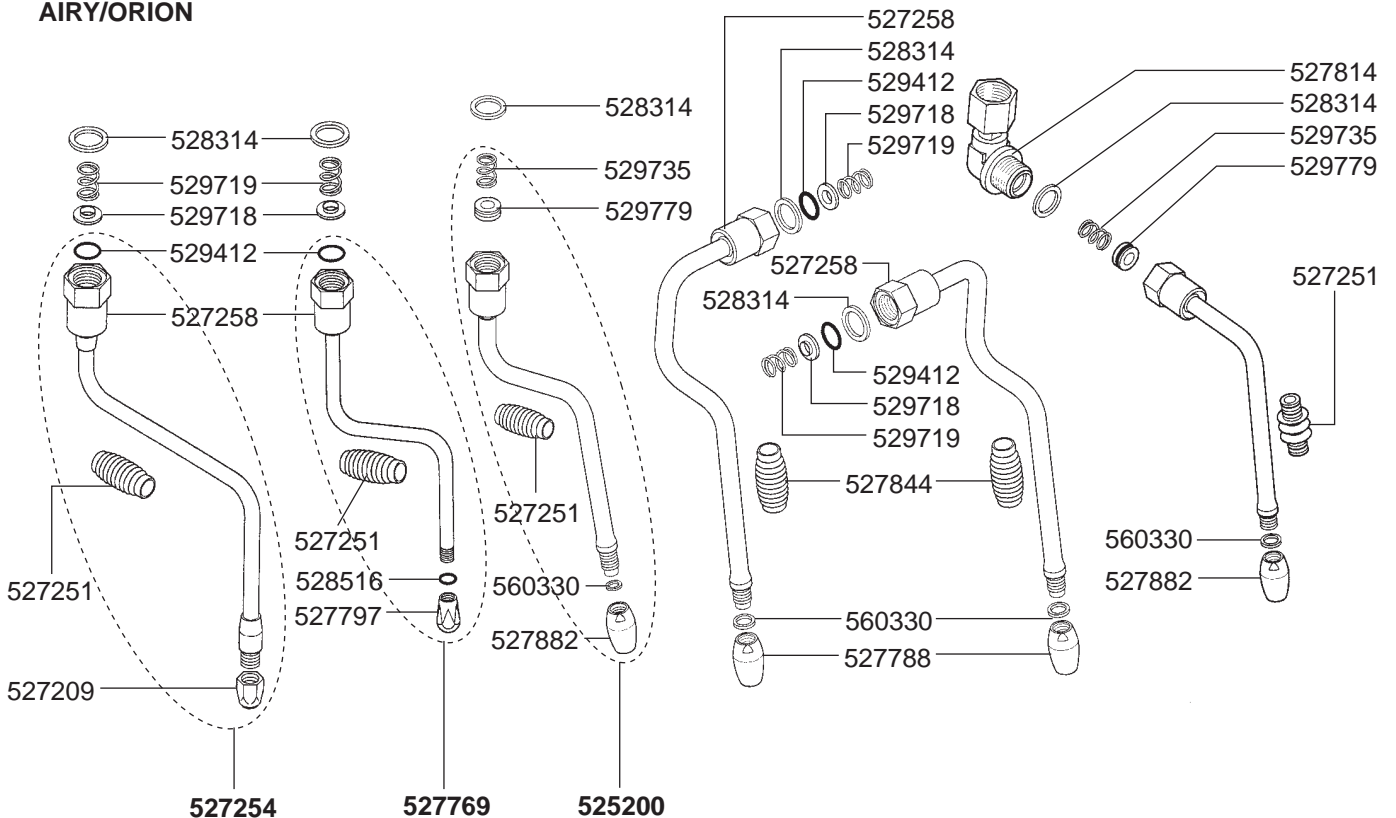
POLARIS/ATLAS/
AIRY/ORION

JUNIOR/NOVA

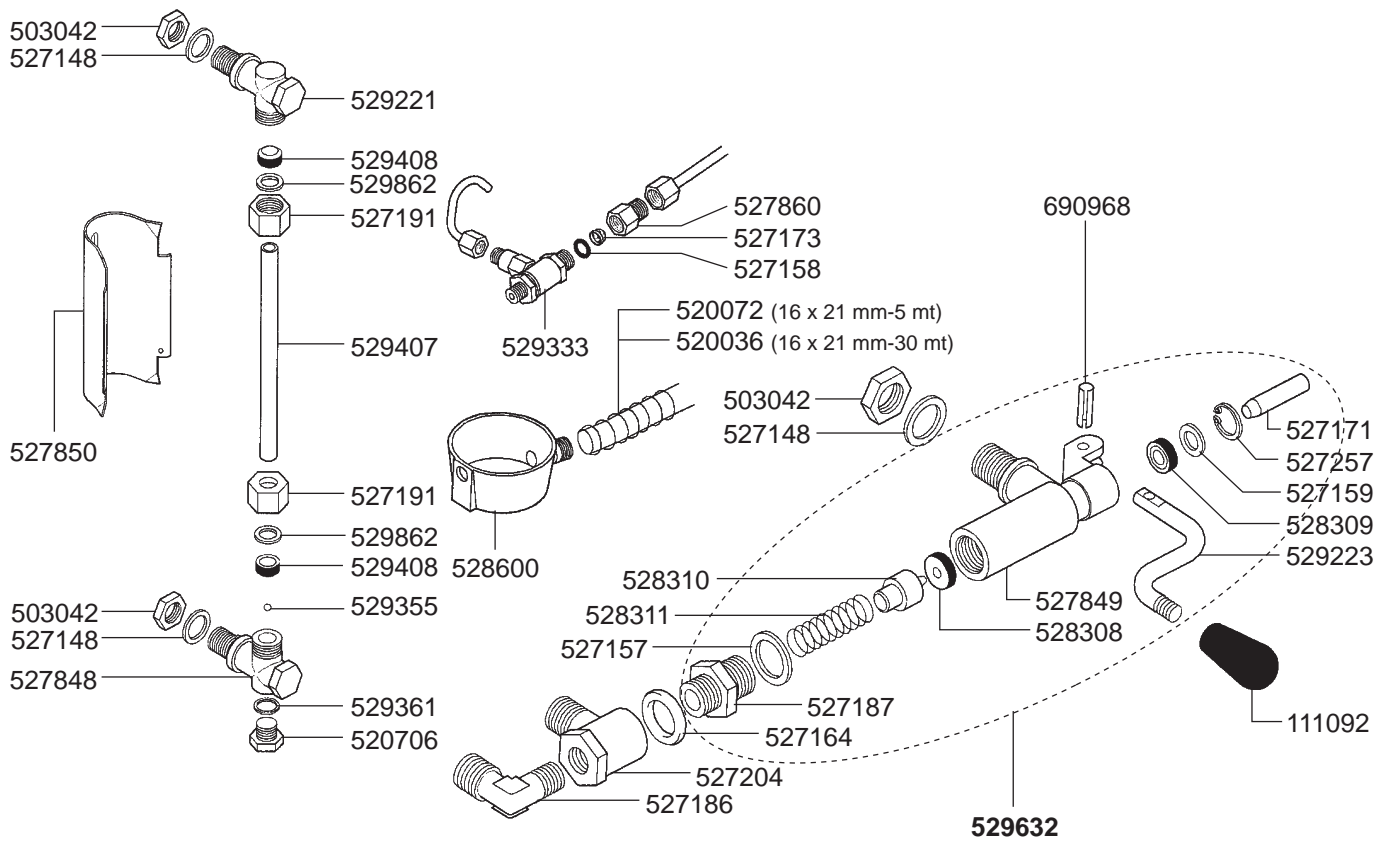
SPHERA

VENUS

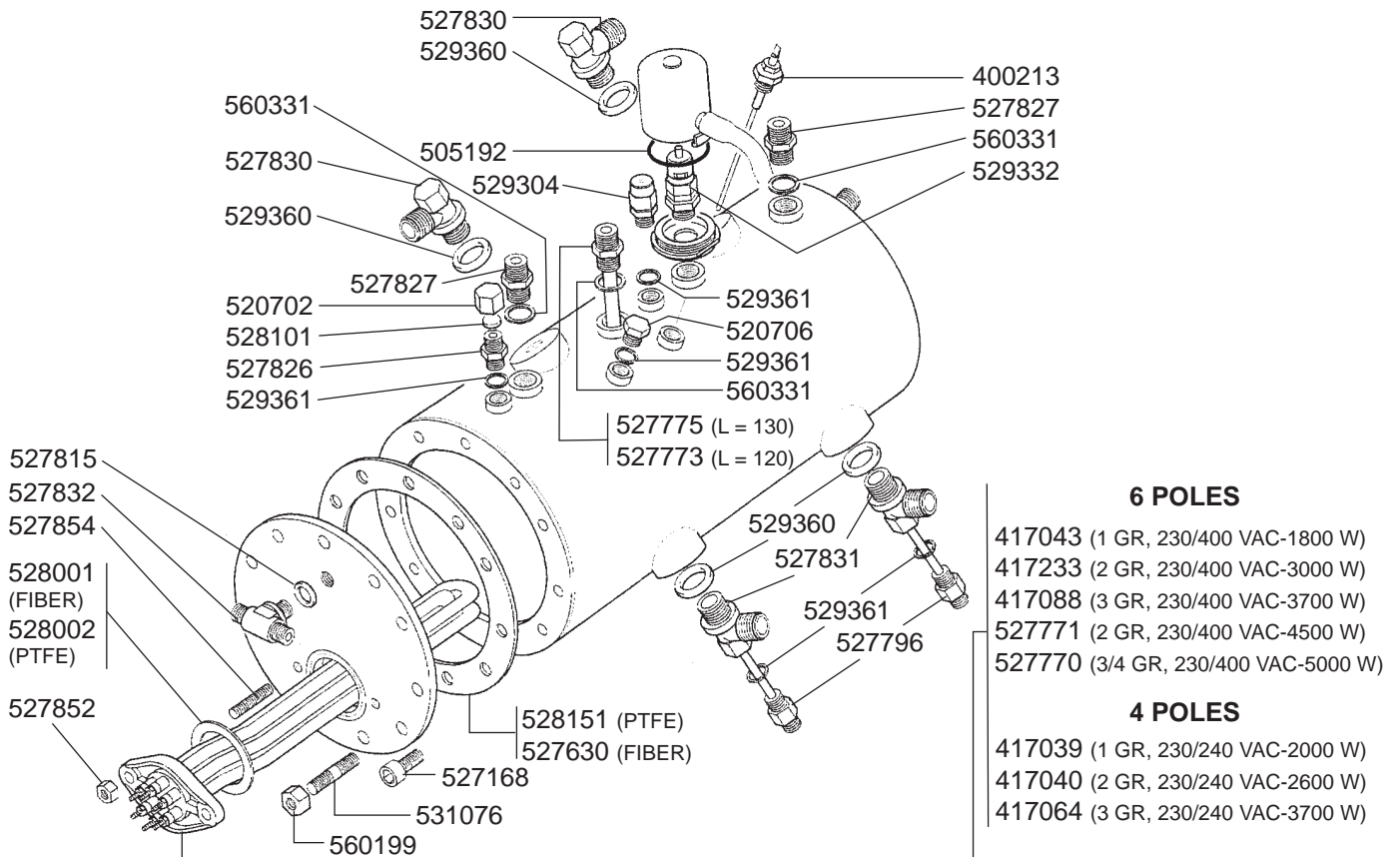
VELA



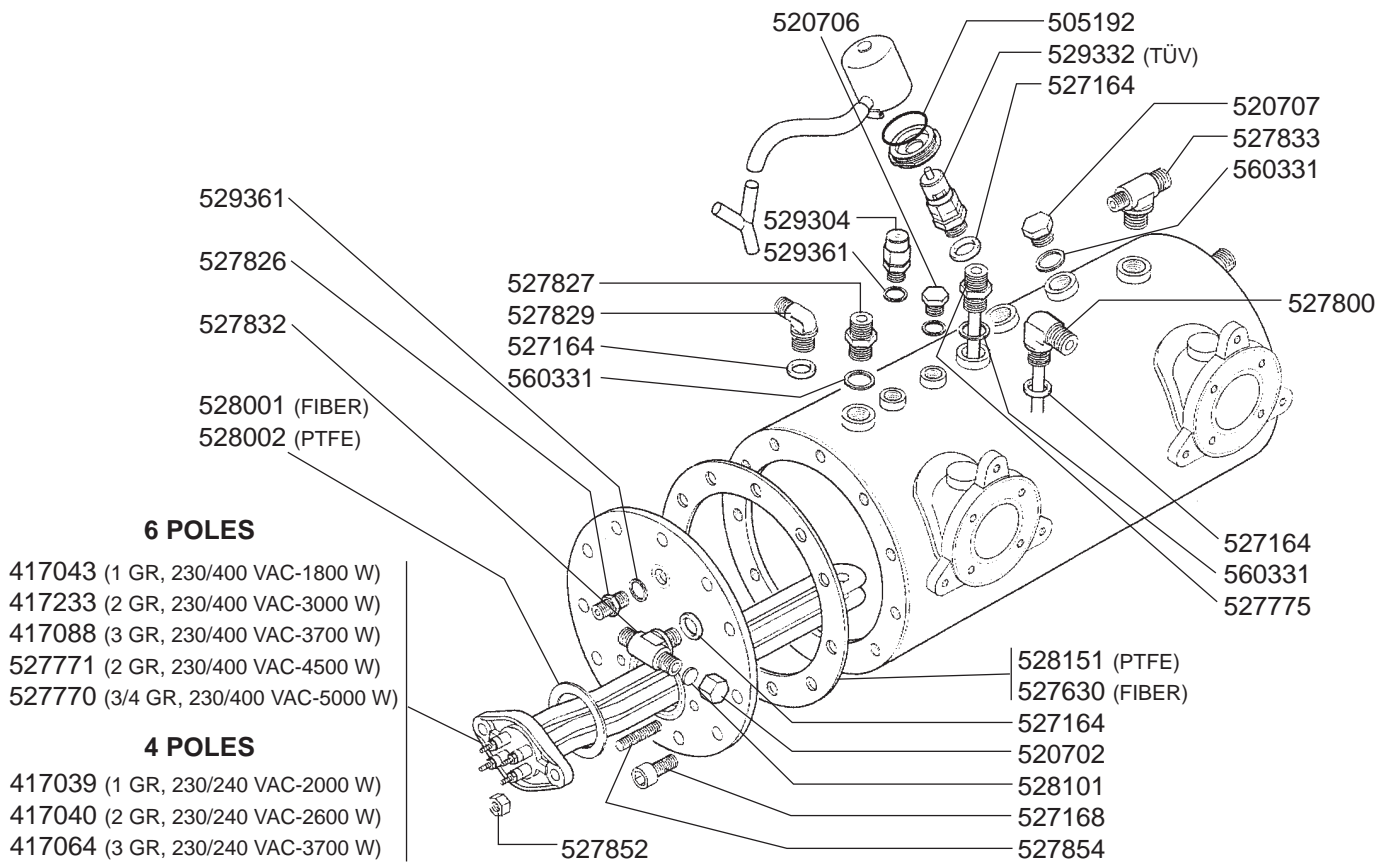
LEVEL INDICATOR/VALVES/DRIP TRAY



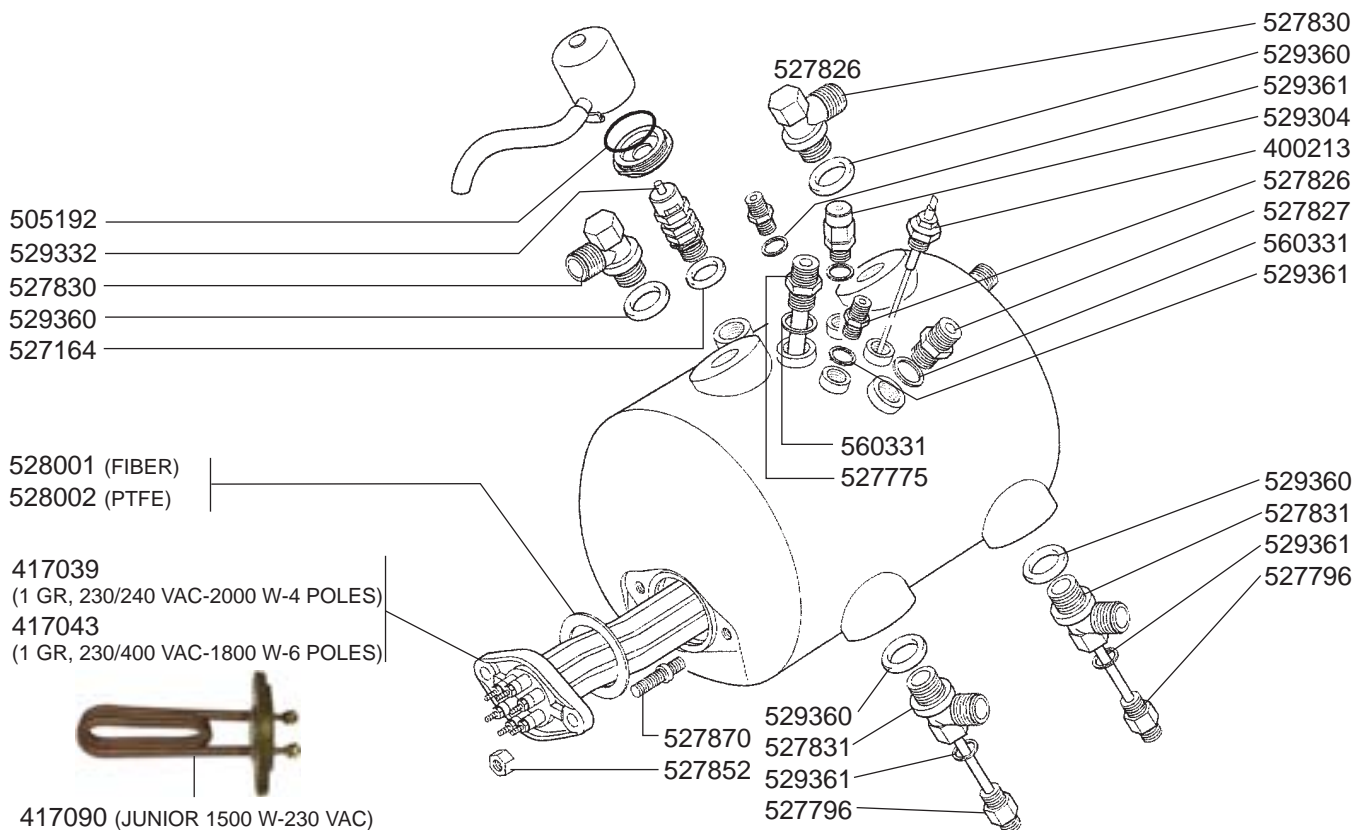
BOILER VARIOUS EMA/EPU/EVD



BOILER VARIOUS ALE



BOILER VARIOUS COMPATTA



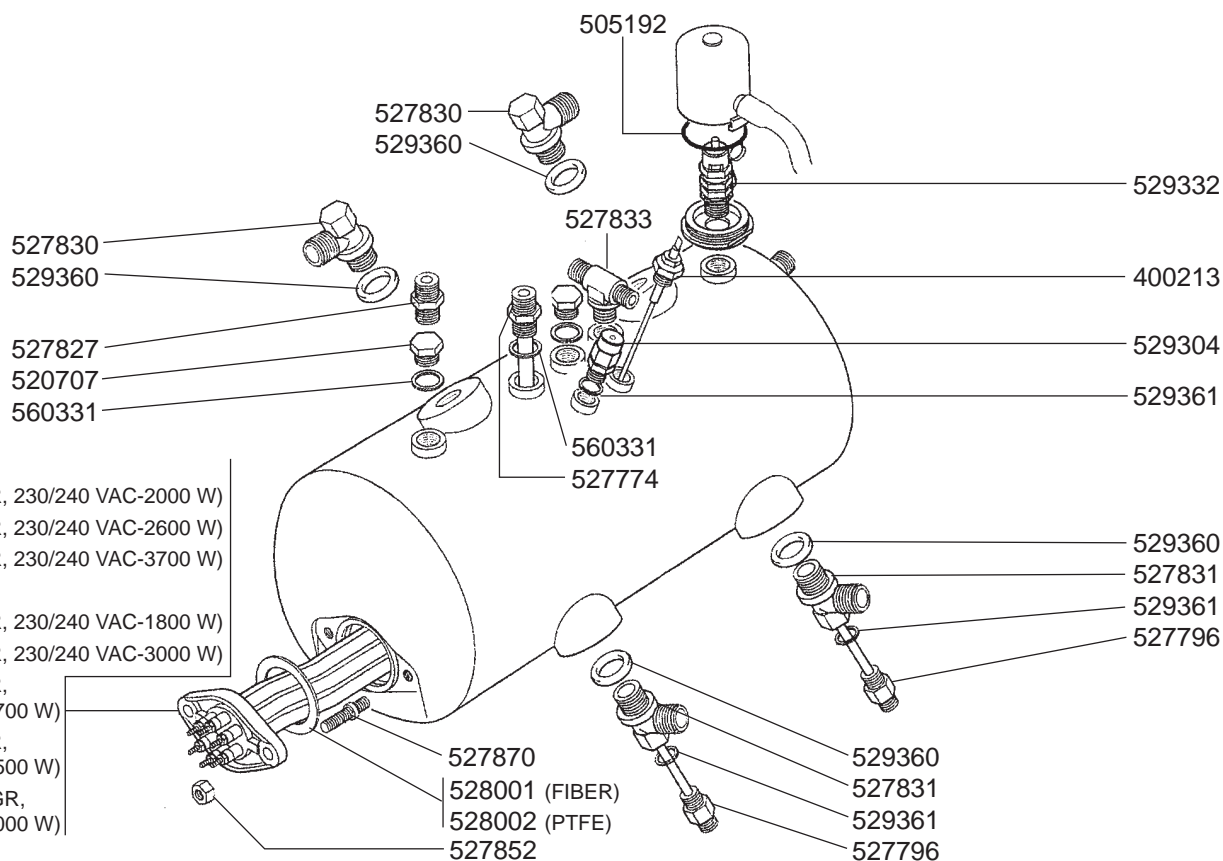
BOILER VARIOUS ORION

4 POLES

- 417039 (1 GR, 230/240 VAC-2000 W)
- 417040 (2 GR, 230/240 VAC-2600 W)
- 417064 (3 GR, 230/240 VAC-3700 W)

6 POLES

- 417043 (1 GR, 230/240 VAC-1800 W)
- 417233 (2 GR, 230/240 VAC-3000 W)
- 417088 (3 GR, 230/240 VAC-3700 W)
- 527771 (2 GR, 230/240 VAC-4500 W)
- 527770 (3/4 GR, 230/240 VAC-5000 W)



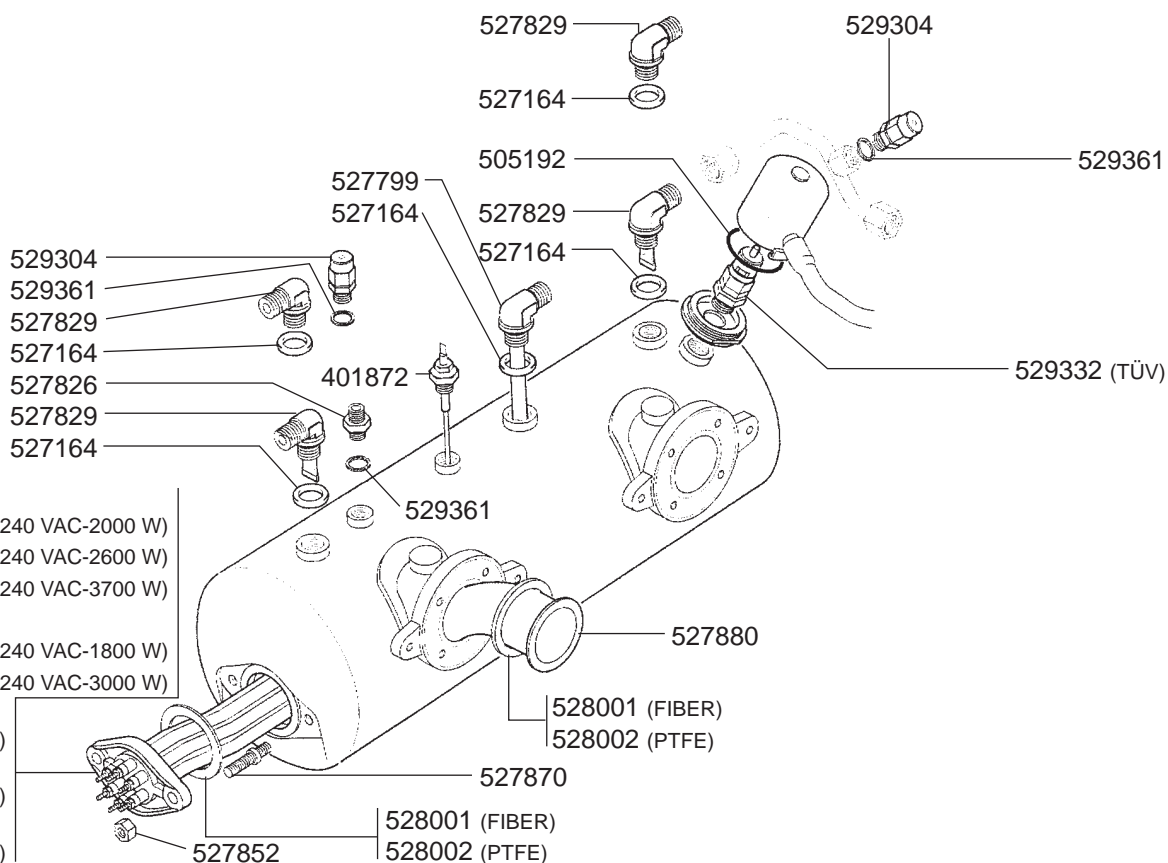
BOILER VARIOUS VENUS

4 POLES

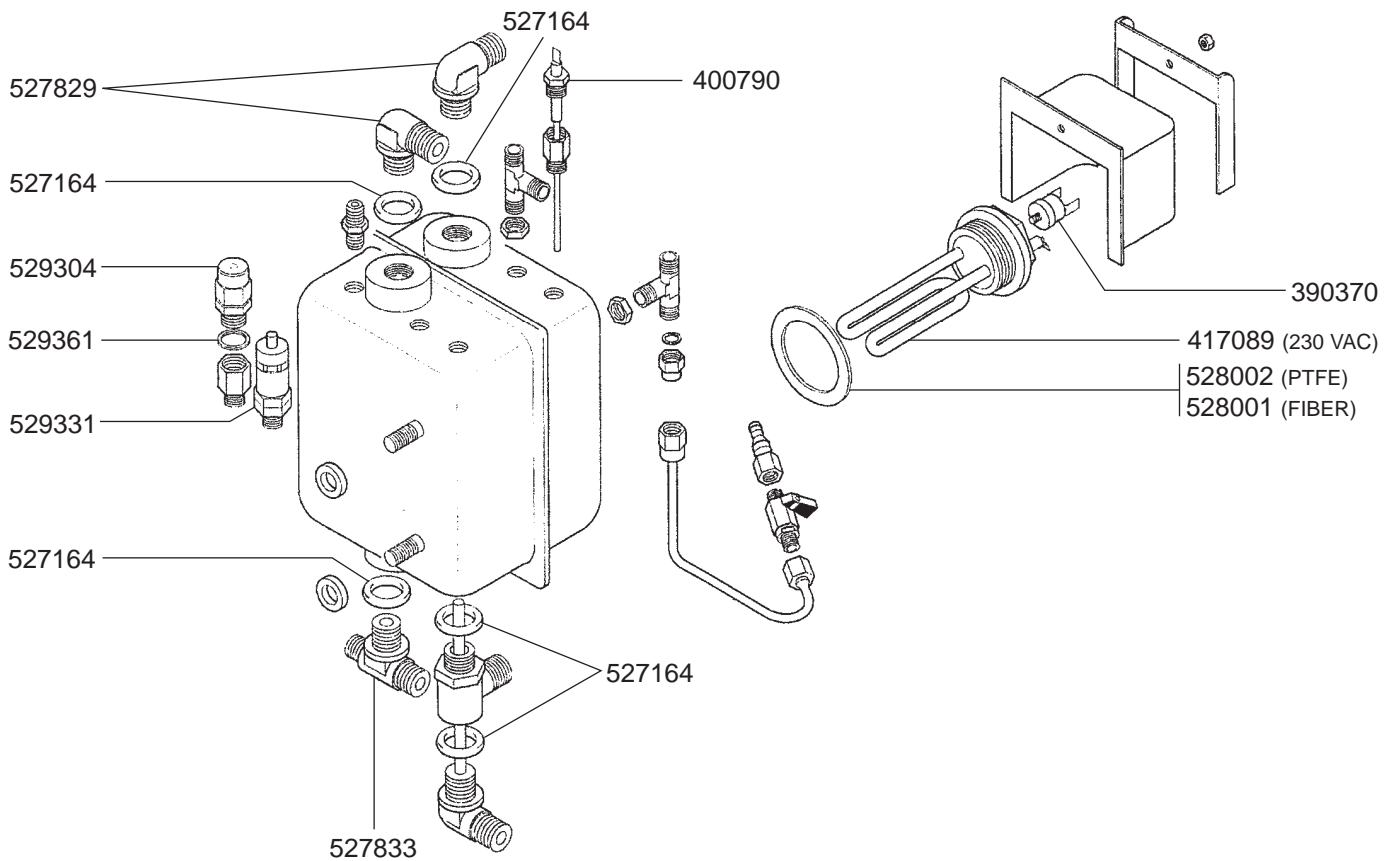
- 417039 (1 GR, 230/240 VAC-2000 W)
- 417040 (2 GR, 230/240 VAC-2600 W)
- 417064 (3 GR, 230/240 VAC-3700 W)

6 POLES

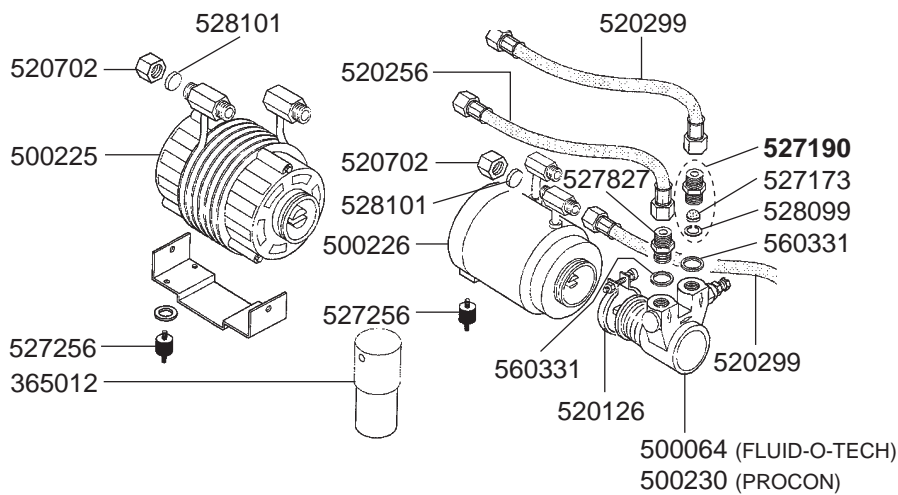
- 417043 (1 GR, 230/240 VAC-1800 W)
- 417233 (2 GR, 230/240 VAC-3000 W)
- 417088 (3 GR, 230/240 VAC-3700 W)
- 527771 (2 GR, 230/240 VAC-4500 W)
- 527770 (3/4 GR, 230/240 VAC-5000 W)



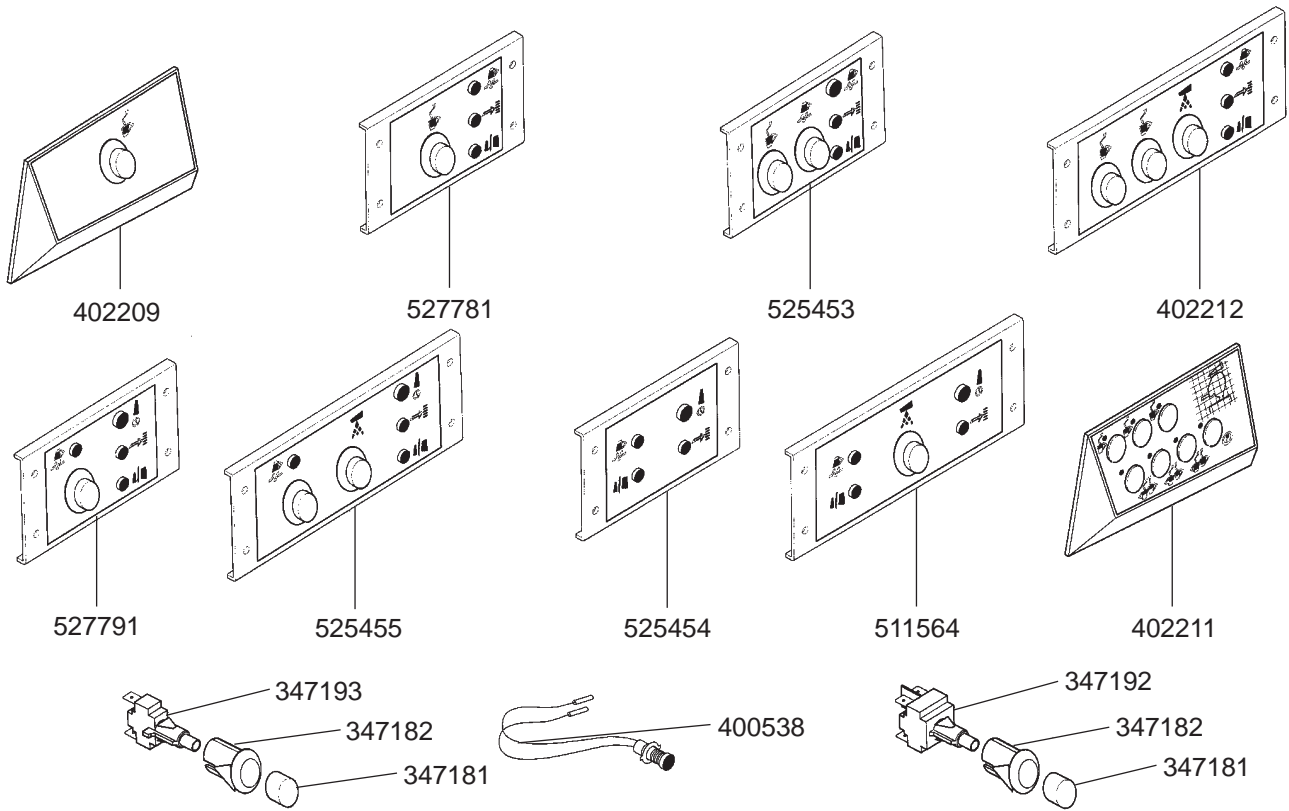
BOILER VARIOUS MININOVA



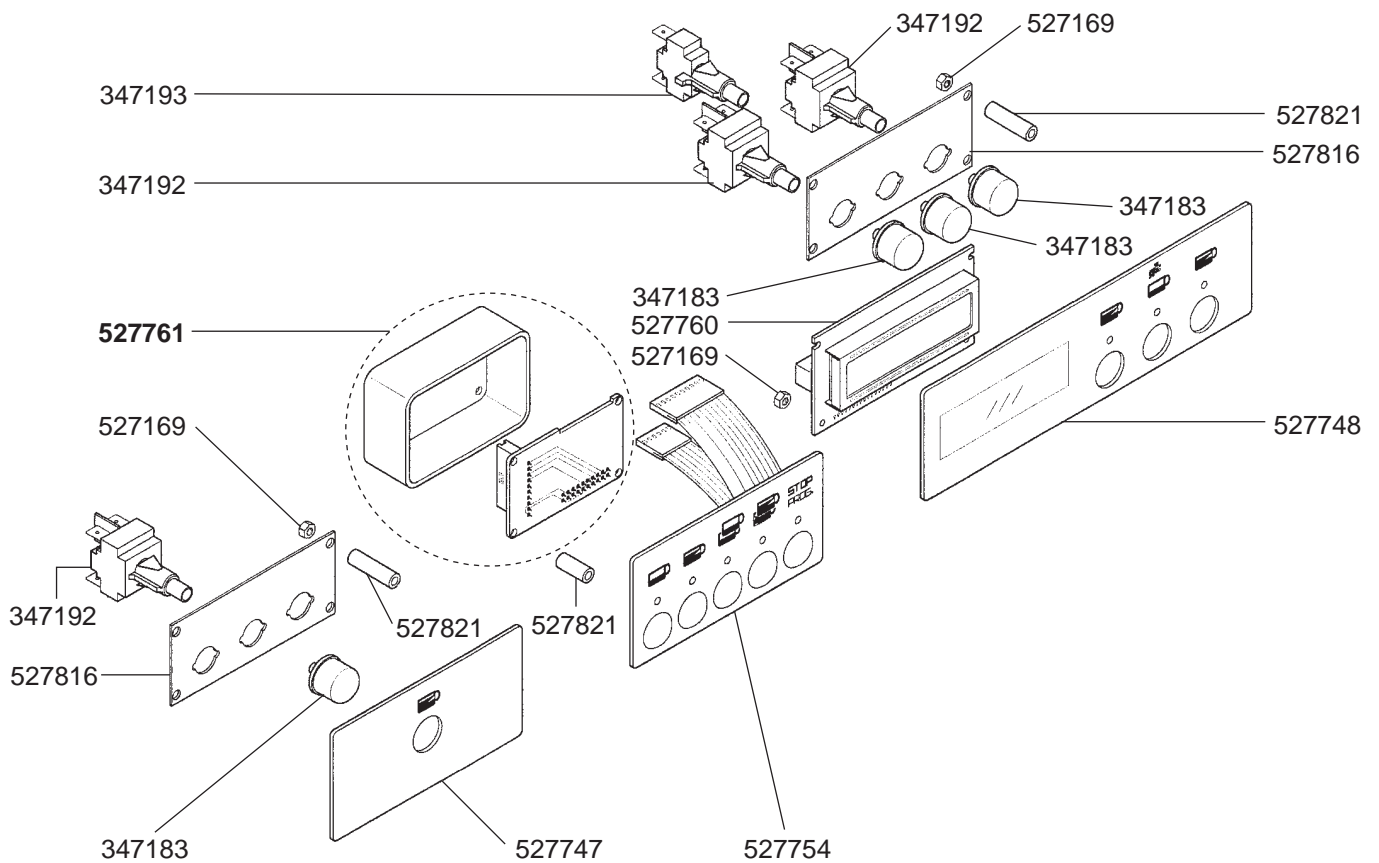
MOTOR/MANOMETER/VARIOUS



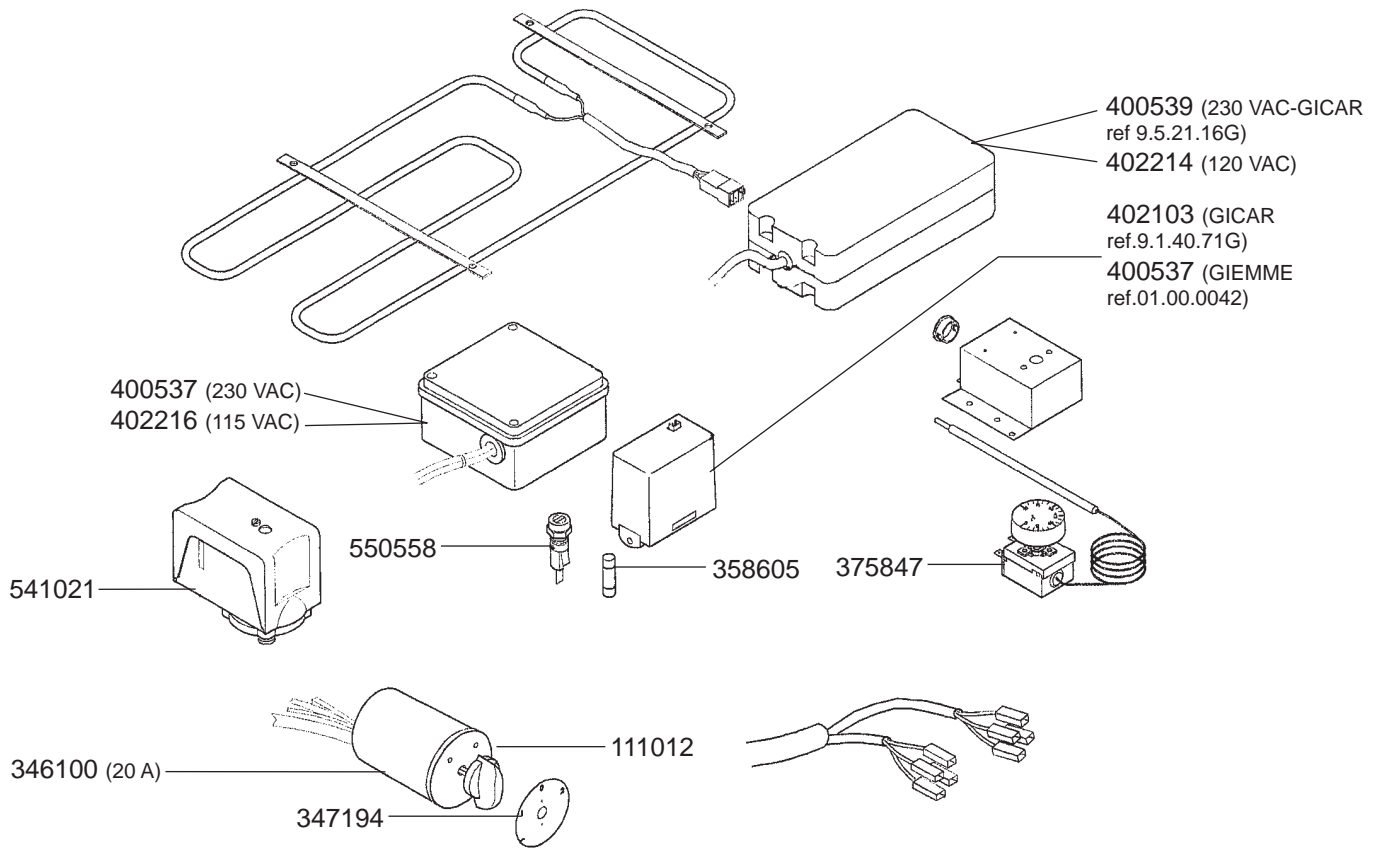
ELECTRICAL COMPONENTS VENUS



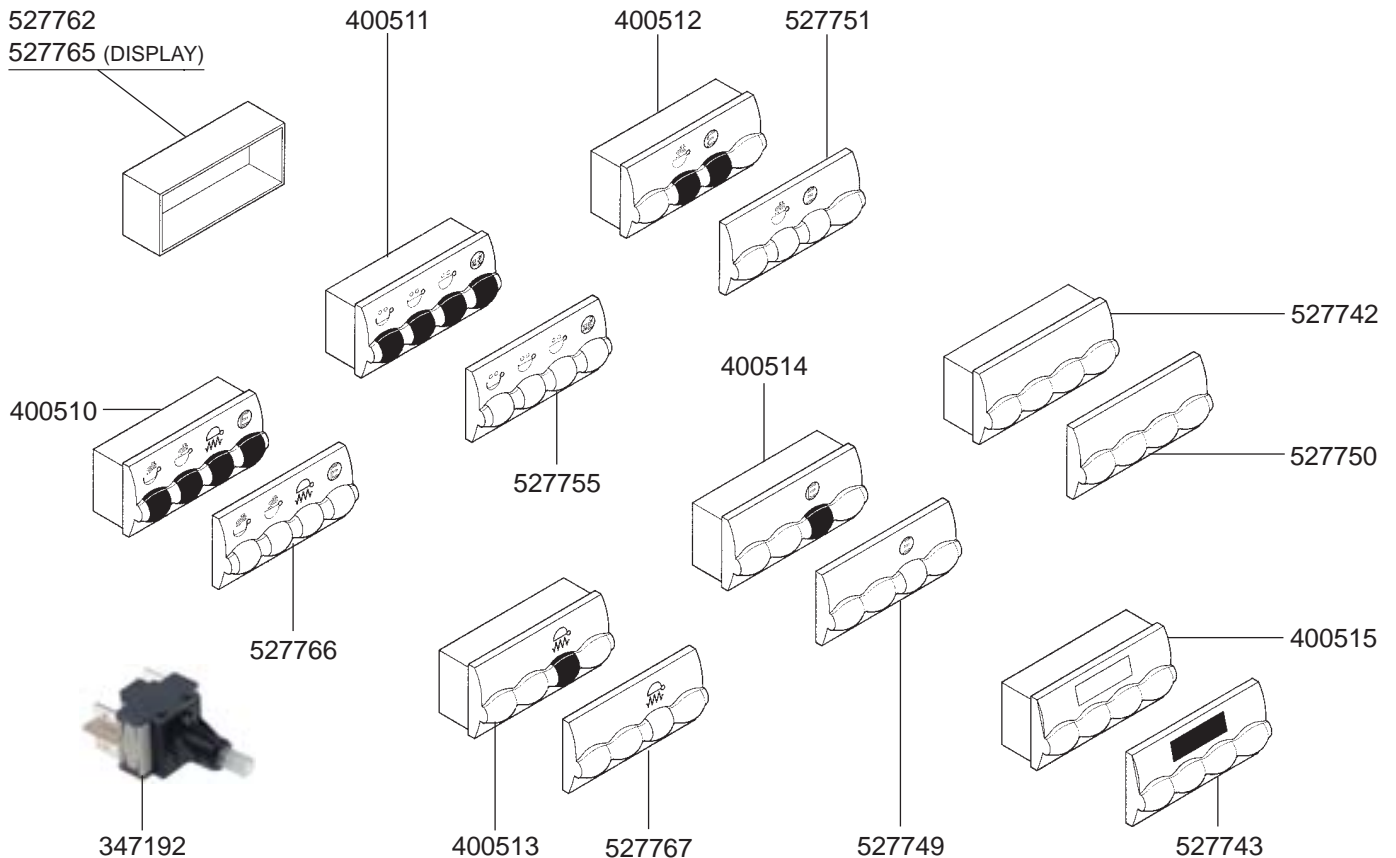
ELECTRICAL COMPONENTS POLARIS



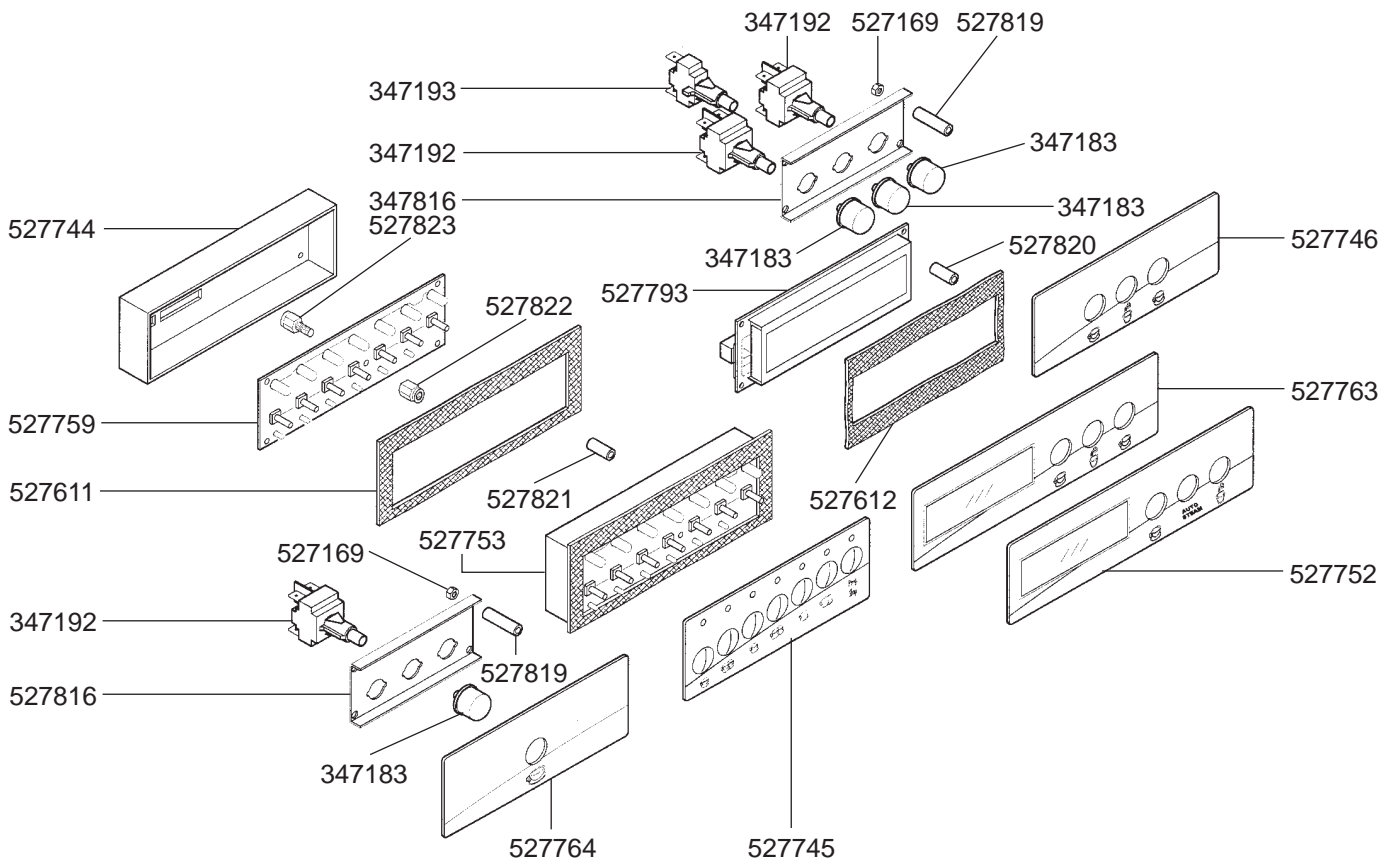
ELECTRICAL COMPONENTS VENUS/POLARIS



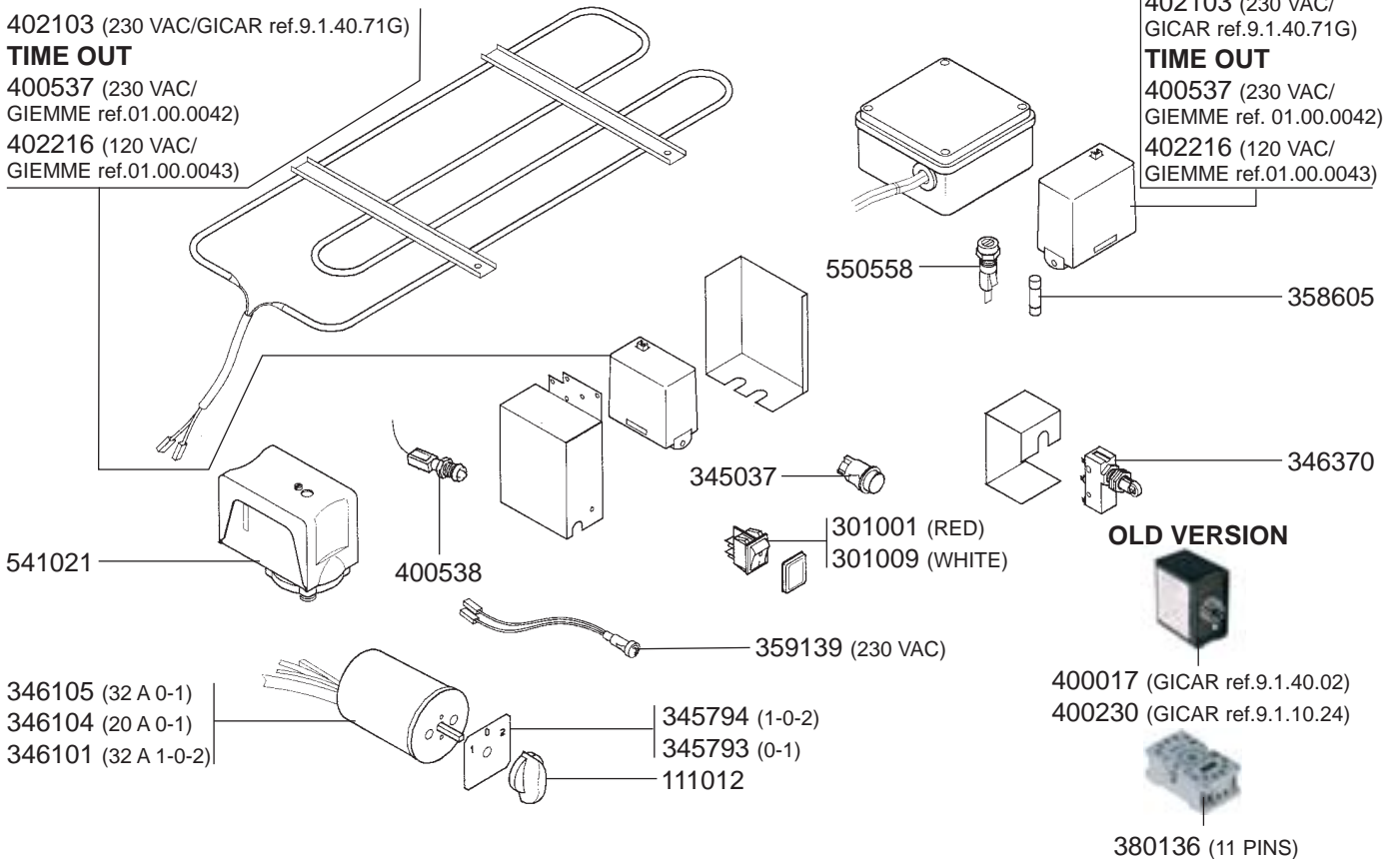
ELECTRICAL COMPONENTS SPHERA



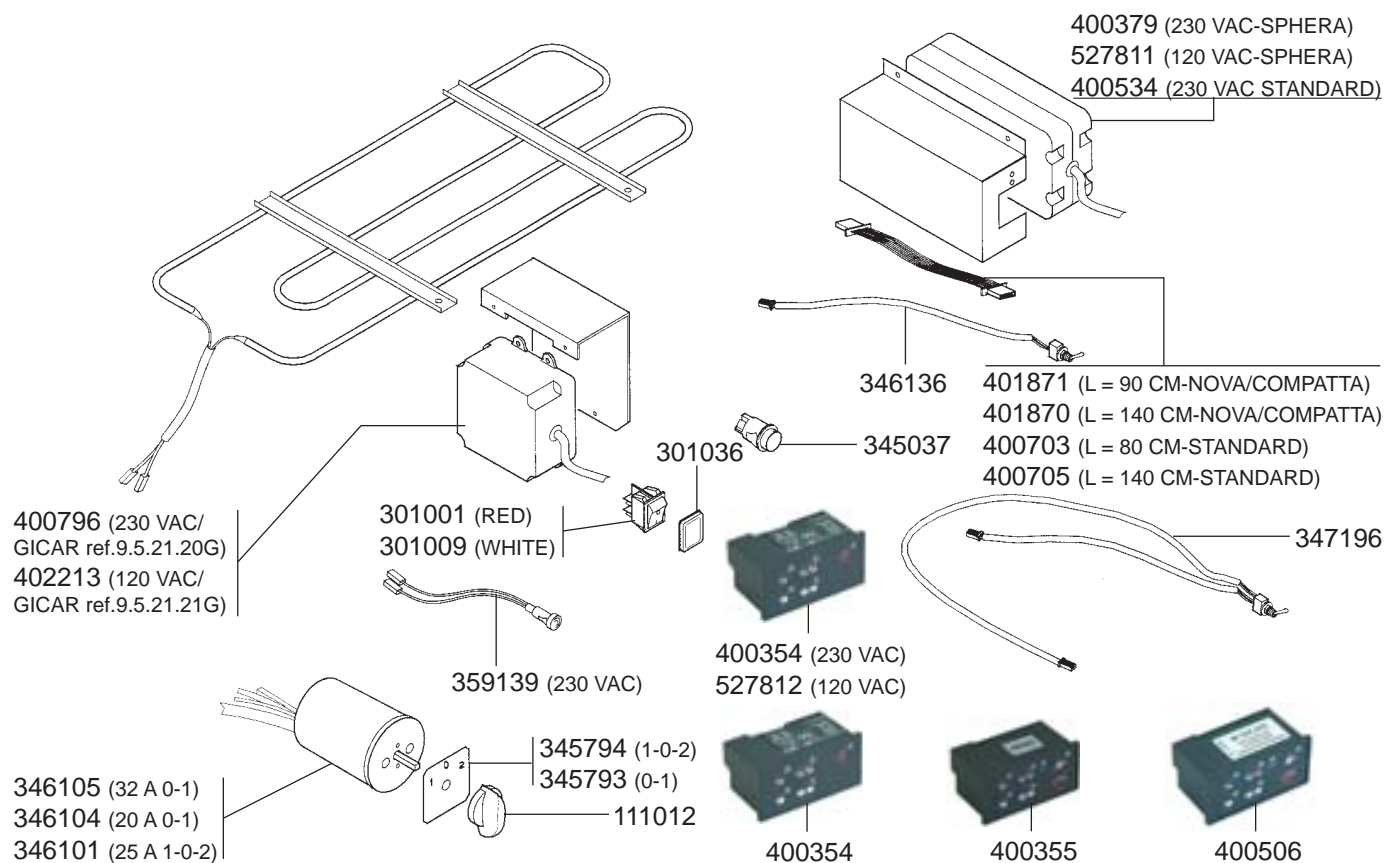
ELECTRICAL COMPONENTS VELA



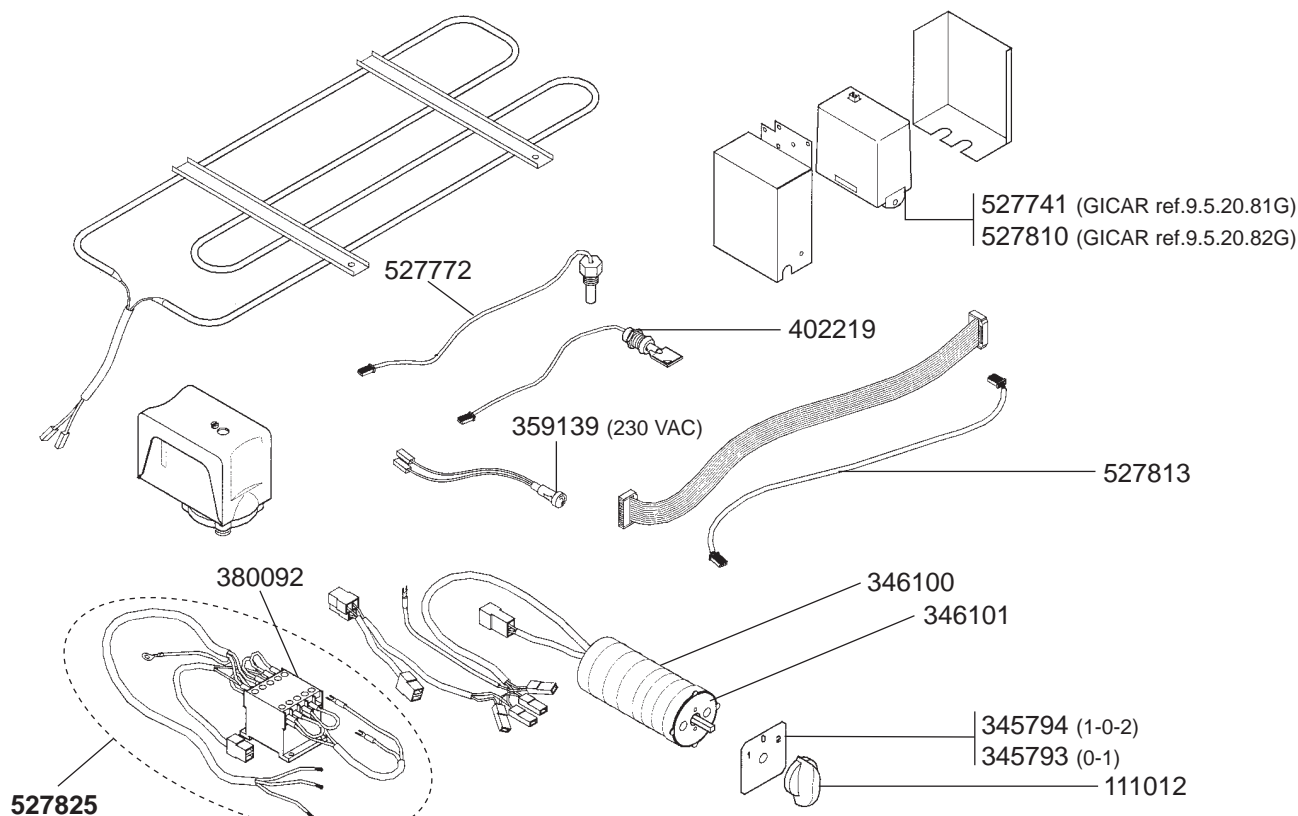
ELECTRICAL COMPONENTS ALE/EMA/EPU



ELECTRICAL COMPONENTS EVD/EVD TH



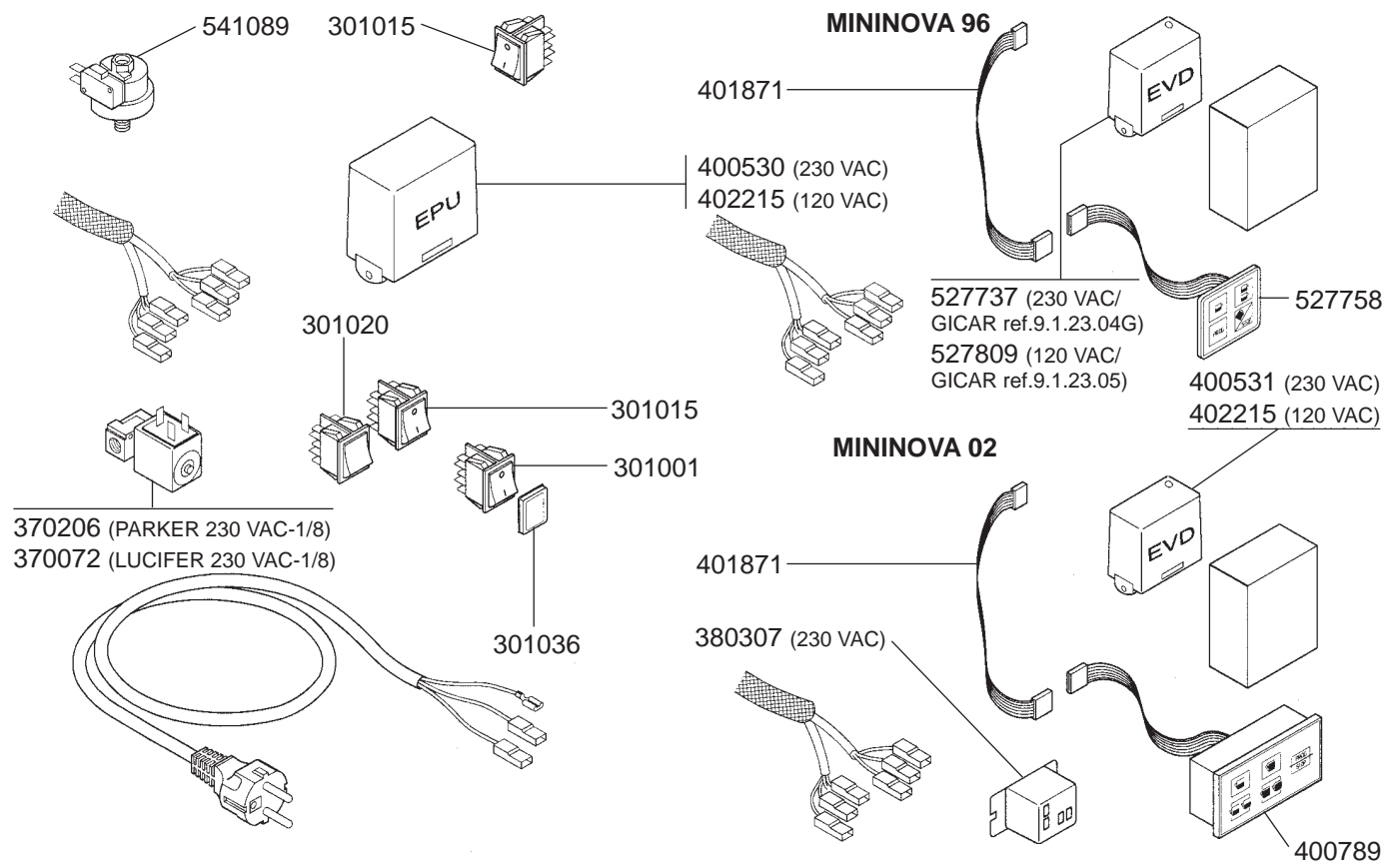
ELECTRICAL COMPONENTS EVD DISPLAY



WEGA – ESPRESSO MACHINES

ESPRESSO MACHINES

ELECTRICAL COMPONENTS MINI NOVA



ELECTRICAL COMPONENTS VARIOUS





www.gastroparts.pl



GASTROPARTS Sp. J.

Klonowica 37
87-100 Toruń
tel. +48 56 657 00 68
fax +48 56 657 00 67
gastroparts@gastroparts.pl

