



KAWA

Części zamienne do urządzeń: RST FIAMMA

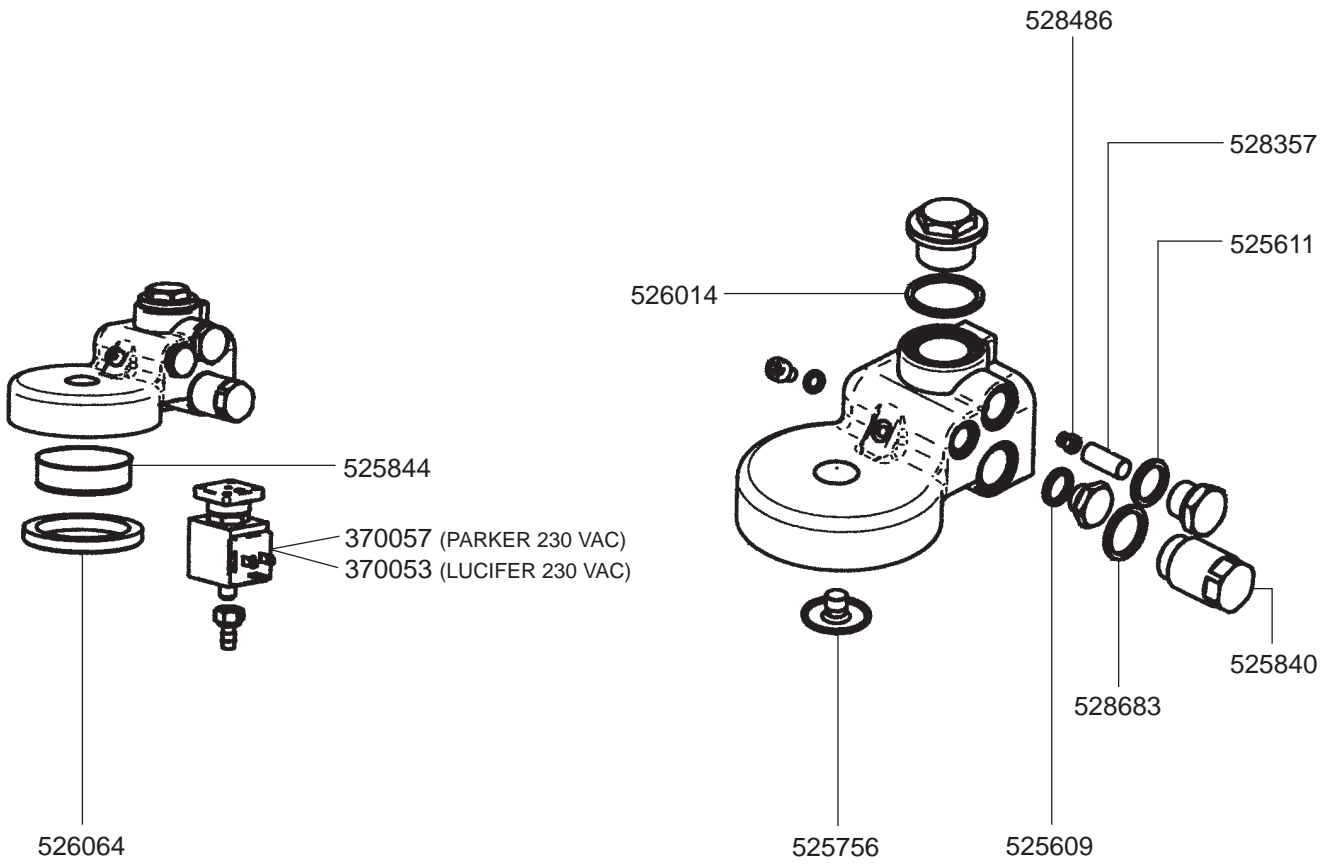


GASTROPARTS Sp. J.

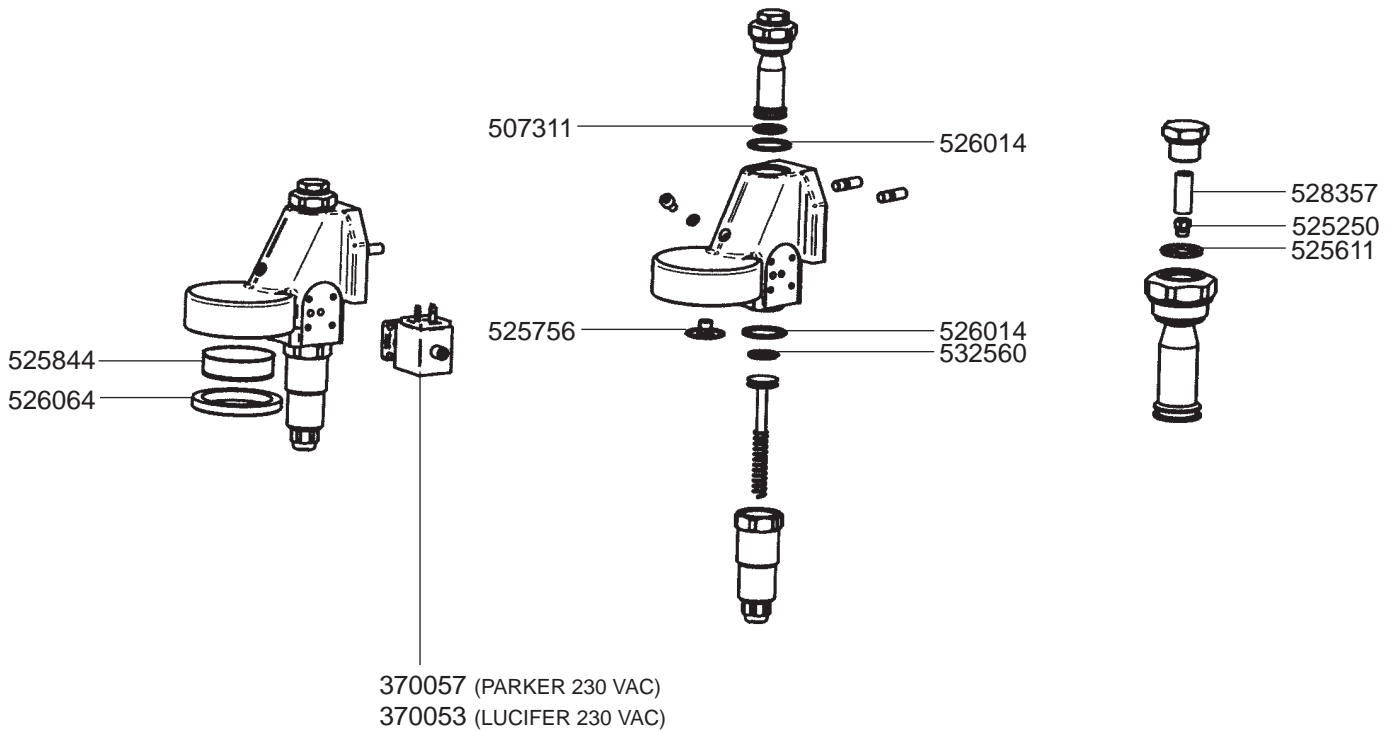
Klonowica 37
87-100 Toruń
tel. +48 56 657 00 68
fax +48 56 657 00 67
gastroparts@gastroparts.pl



GROUP ATLANTIC/MARINA



GROUP PRESTIGE REVOLUTION



FILTER HOLDERS



525845



529045



525999



529065 (Ø 1,1 mm)
525956 (Ø 1,2 mm)
529079 (Ø 1,3 mm)



526261 (6 GR)



529014 (12 GR)



529023



802025
(Ø 53/57 mm)



802104
(Ø 49/53 mm)



802103
(PLASTIC)



802020
(STAINLESS STEEL)



529063



529001



529003



529004



529007



527633

527634

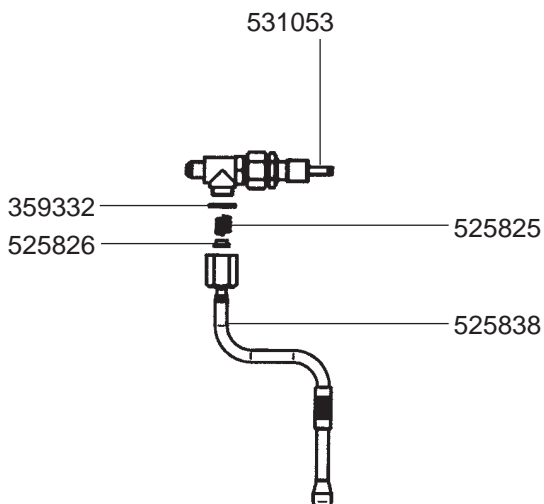
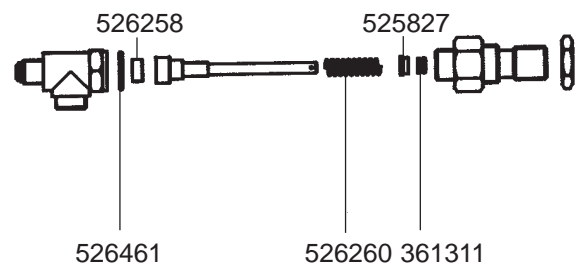
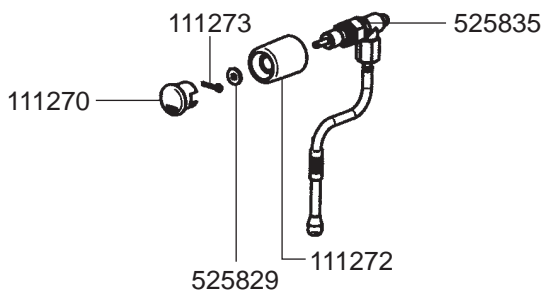


529894



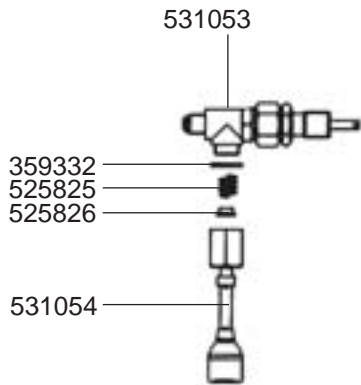
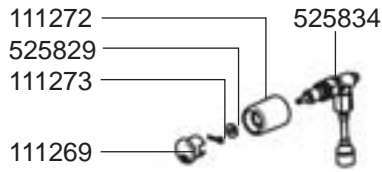
529161 (ADJUSTABLE)

STEAM TAPS ATLANTIC

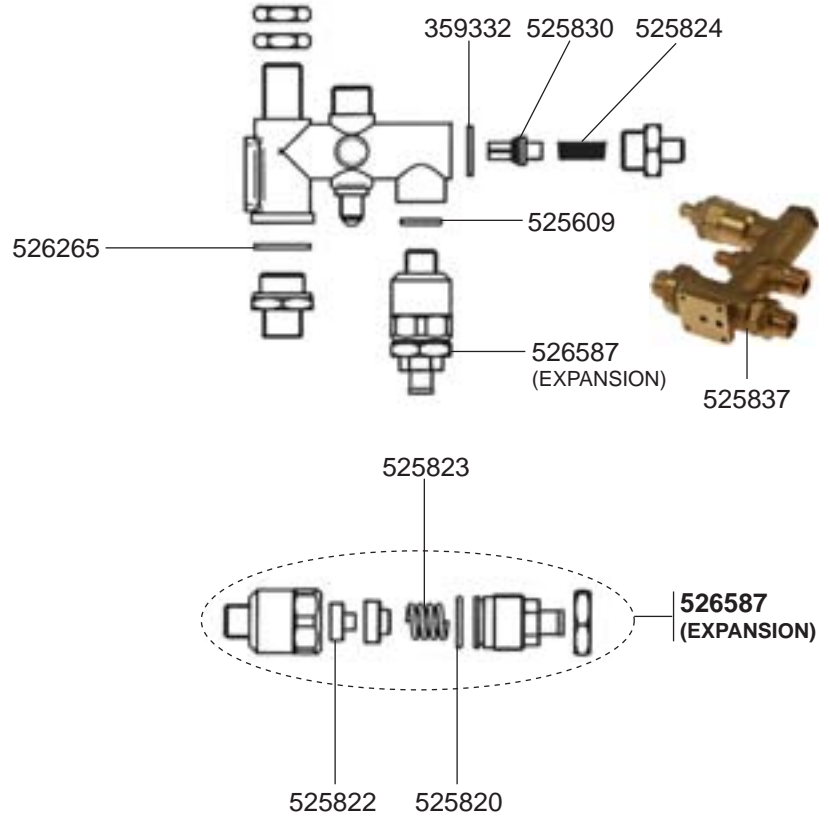


WATER TAP/VALVES ATLANTIC/PRESTIGE REVOLUTION

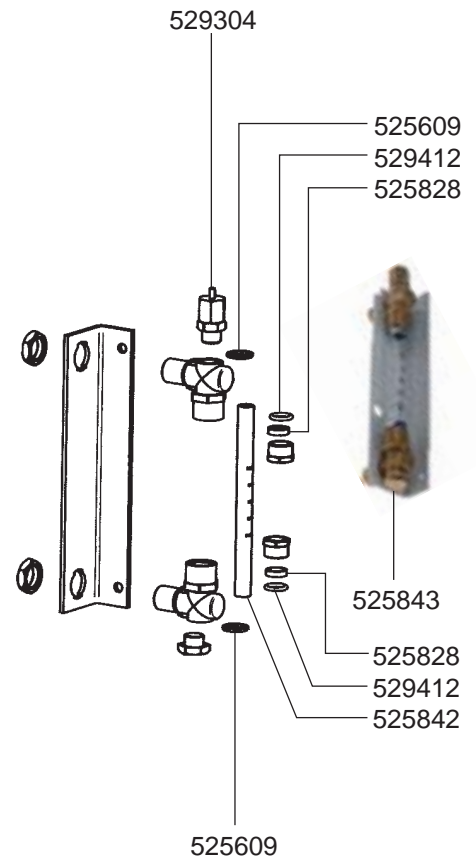
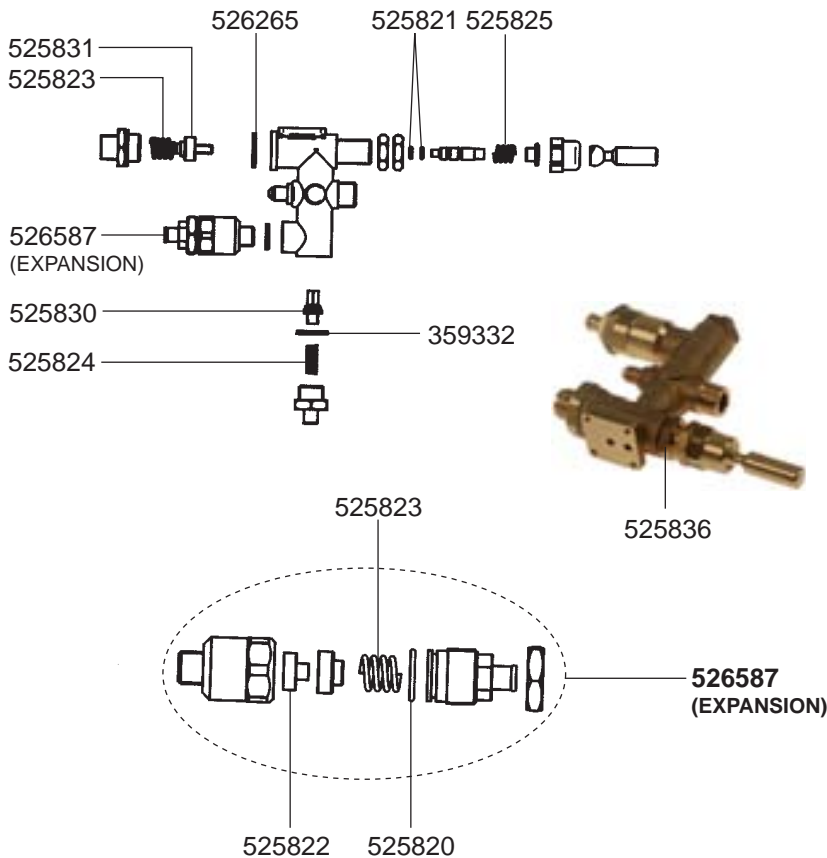
ATLANTIC/PRESTIGE REVOLUTION



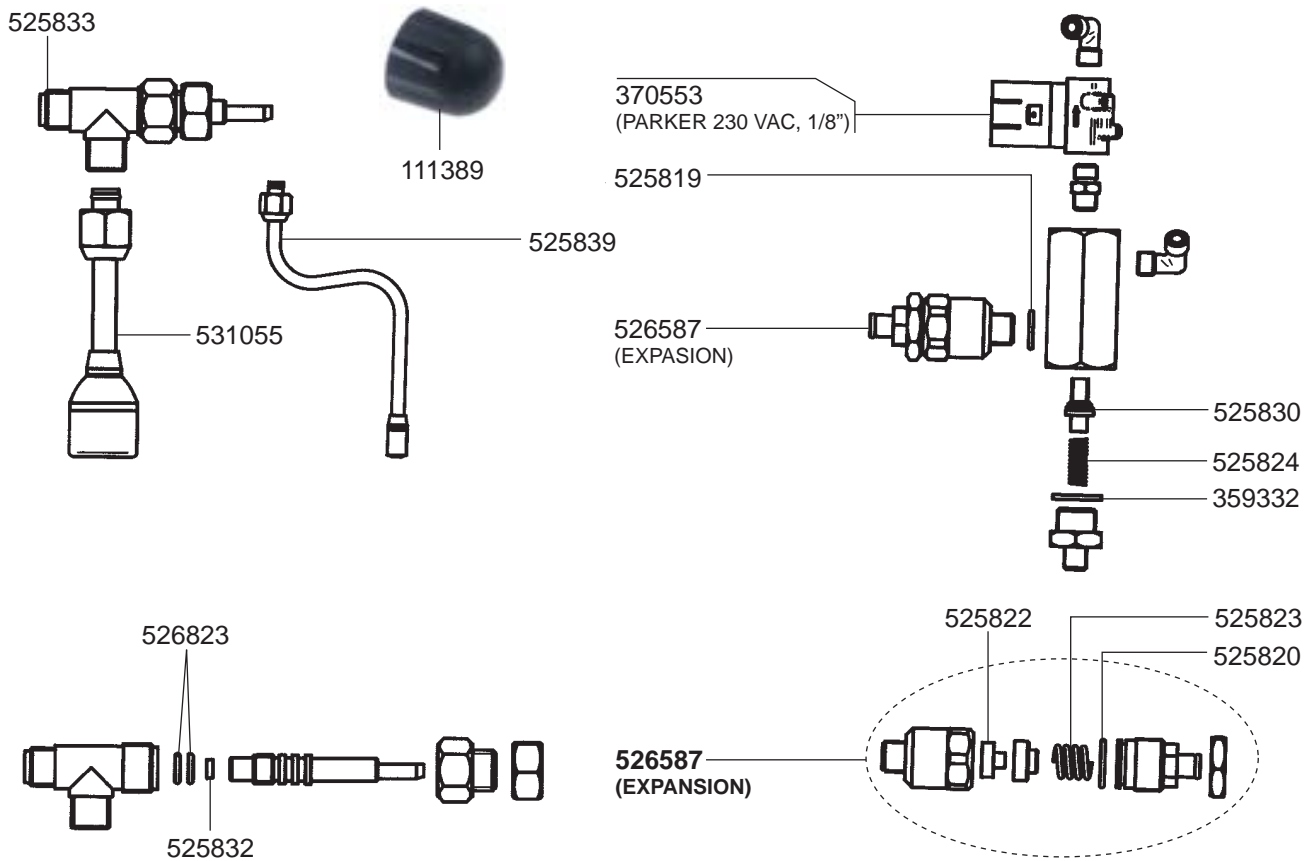
ATLANTIC



VALVES/LEVEL INDICATOR PRESTIGE REVOLUTION



WATER TAP/VALVES MARINA



BOILER VARIOUS



529879



529304



401161



541768
(0-3 BAR)

ATLANTIC PRESTIGE REVOLUTION



528021



417467 (1 GR, 1800 W)
417469 (2 GR, 3500 W)
417468 (3 GR, 5000 W)



390367



541767
(0-16 BAR)

MARINA



528018



417466
(1 GR, 1800 W)



390367



525841

RST FIAMMA – ESPRESSO MACHINES

1
ESPRESSO MACHINES

ELECTRICAL COMPONENTS

ATLANTIC / PRESTIGE REVOLUTION



402667
(GICAR ref.9.9.08.83G)



402723
(GICAR ref.9.5.22.50G09)



346397



111390



359140



359139



345722
(ONE POLE)



347402



347403



345720
(TWO POLES)



402724



402722
(GICAR ref.9.5.28.65.G00)



359140



359139



345720



347402



347403

MARINA

ELECTRICAL COMPONENTS VARIOUS



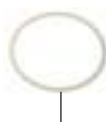
400004



400256



400257



400258



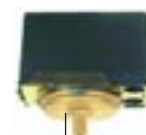
541021
(SIRAI, 30 AMP,
3 POLES)



541724
(SIRAI, 20 AMP,
3 POLES)



541723
(SIRAI, 20 AMP,
2 POLES)



541453
(PARKER)



370057
(PARKER 230 VAC)
370053
(LUCIFER 230 VAC)



370062
(PARKER)
370061
(LUCIFER)



370206
(PARKER 230 VAC 1/8")
370072
(LUCIFER 230 VAC 1/8")



371029
(PARKER 230 VAC)
371031
(LUCIFER 230 VAC)



371091



371090



371095
(VITON)



371100
(SILICONE)



www.gastroparts.pl



GASTROPARTS Sp. J.

Klonowica 37
87-100 Toruń
tel. +48 56 657 00 68
fax +48 56 657 00 67
gastroparts@gastroparts.pl

