



KAWA

Części zamienne do urządzeń: LA SAN MARCO

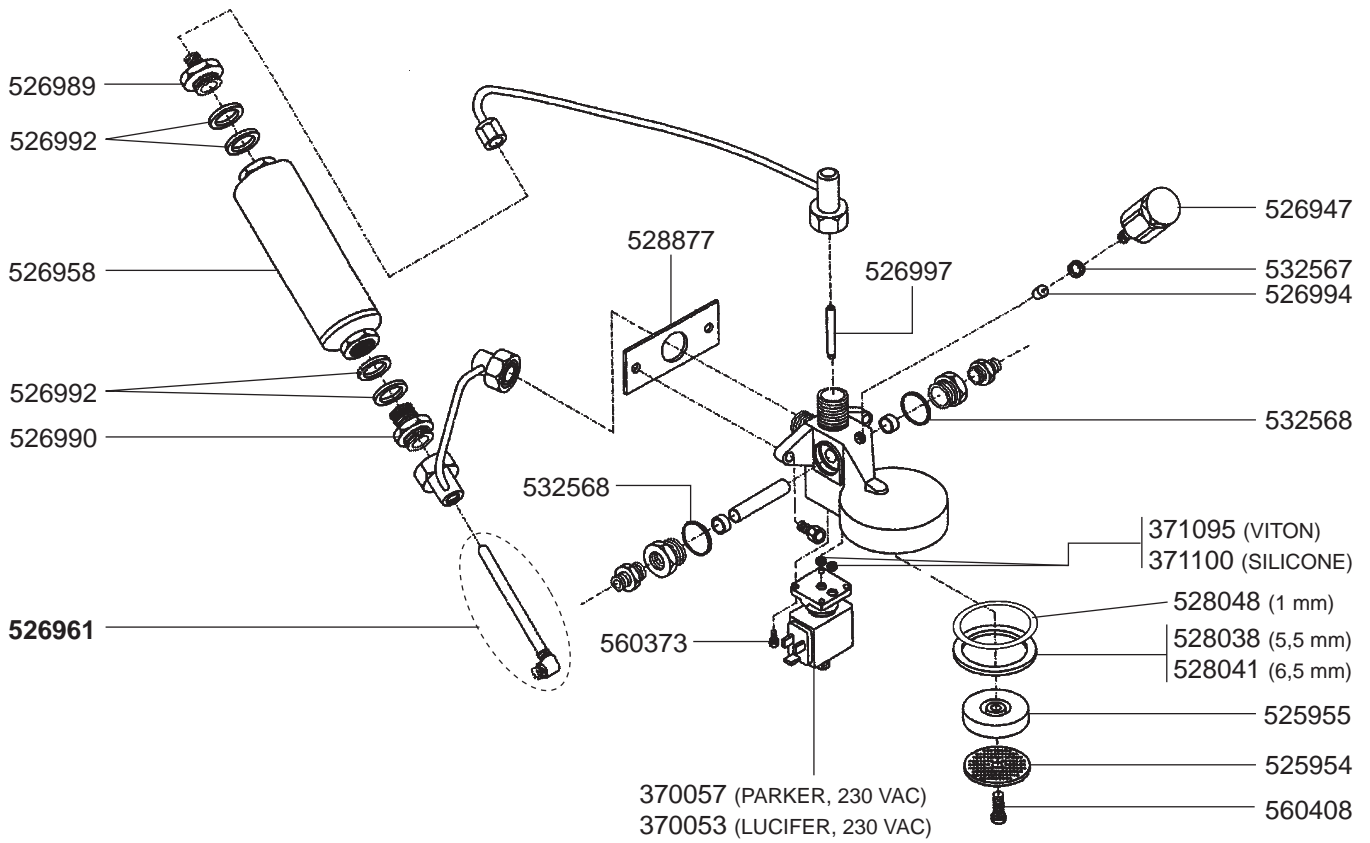


GASTROPARTS Sp. J.

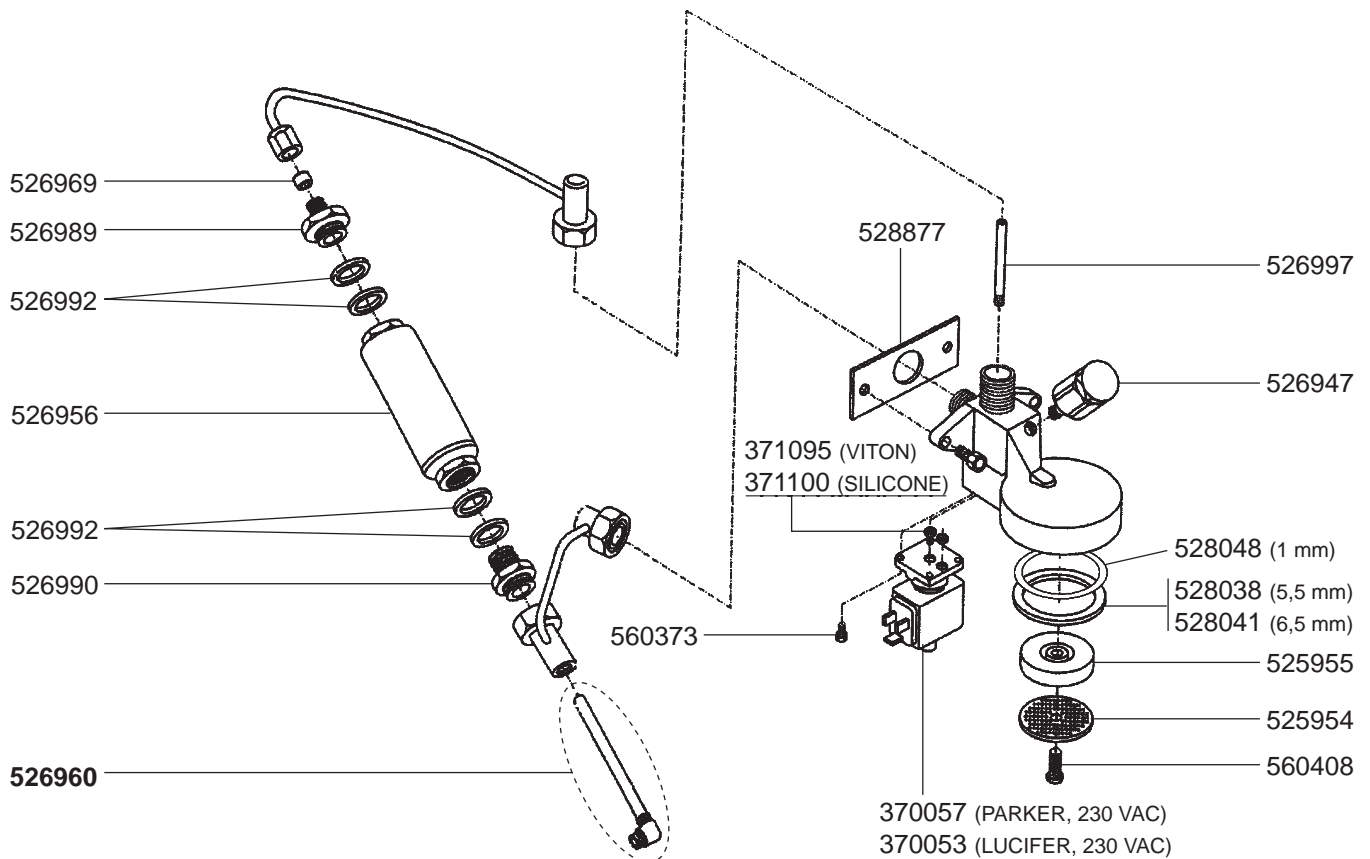
Klonowica 37
87-100 Toruń
tel. +48 56 657 00 68
fax +48 56 657 00 67
gastroparts@gastroparts.pl



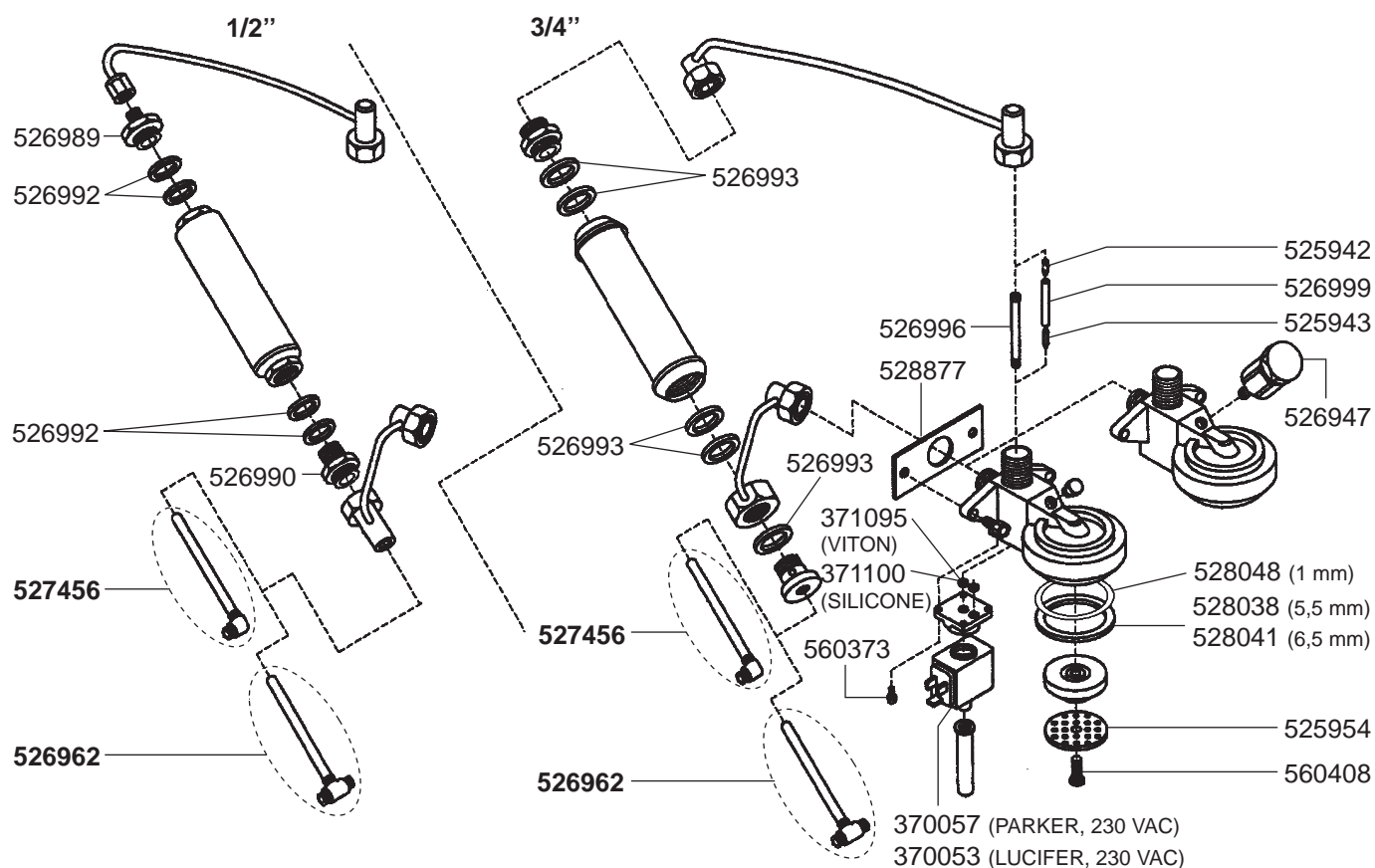
GROUP 105



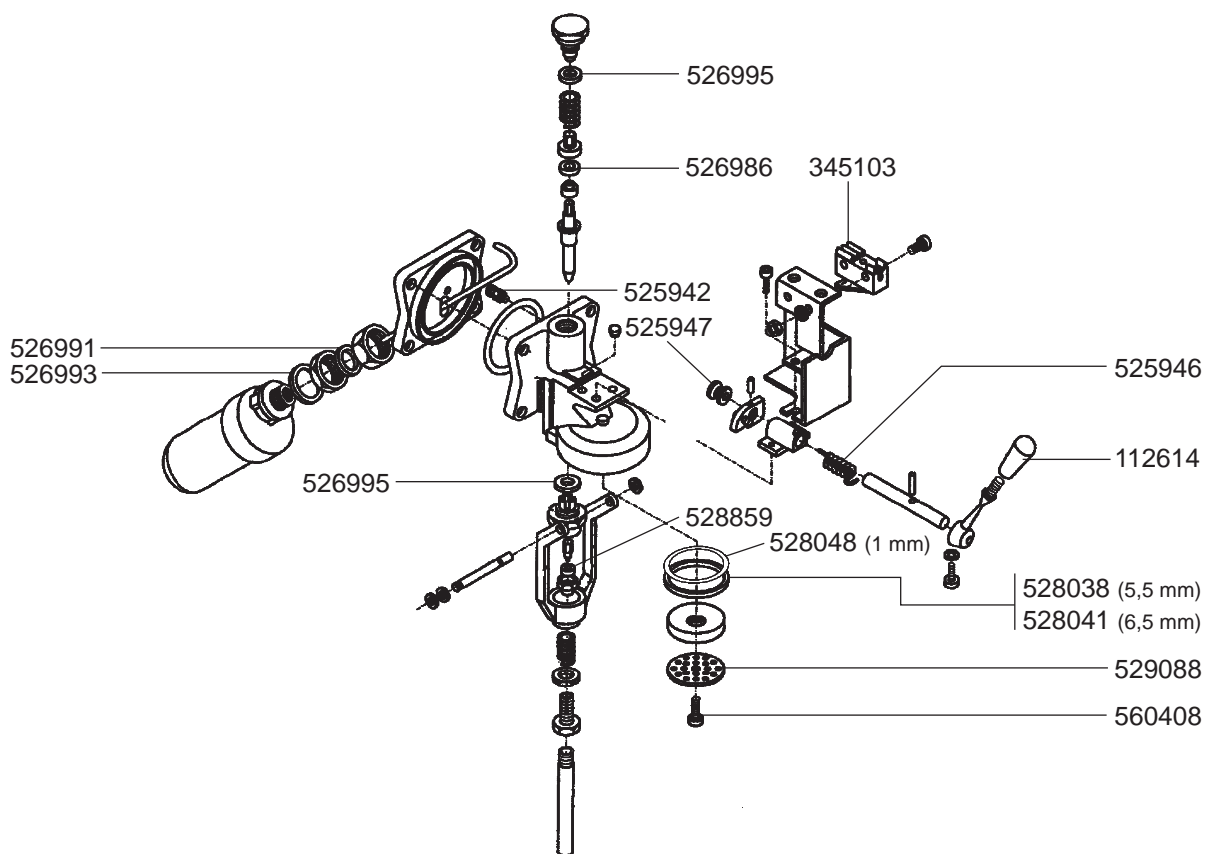
GROUP 105-1GR



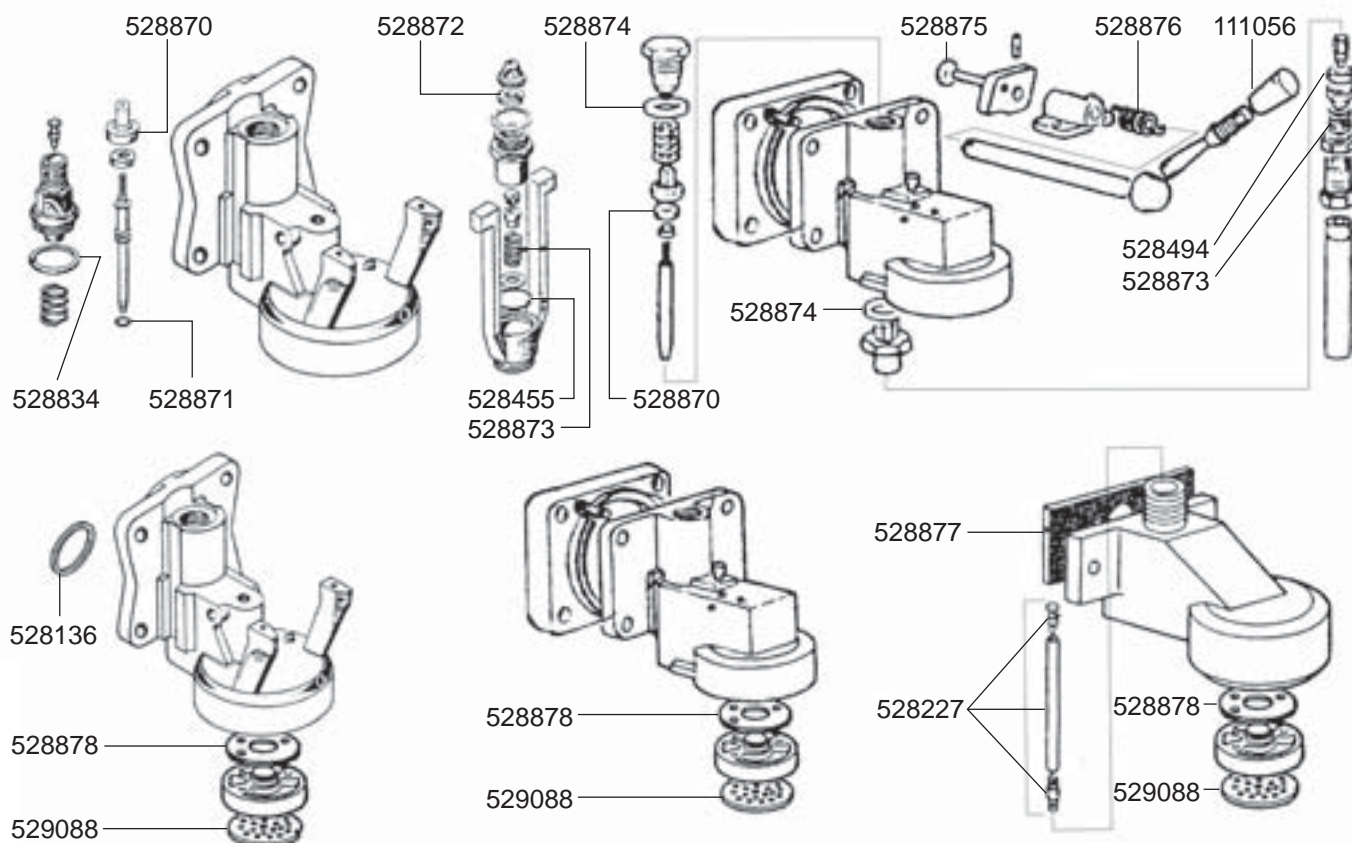
GROUP 85/95



GROUP 85



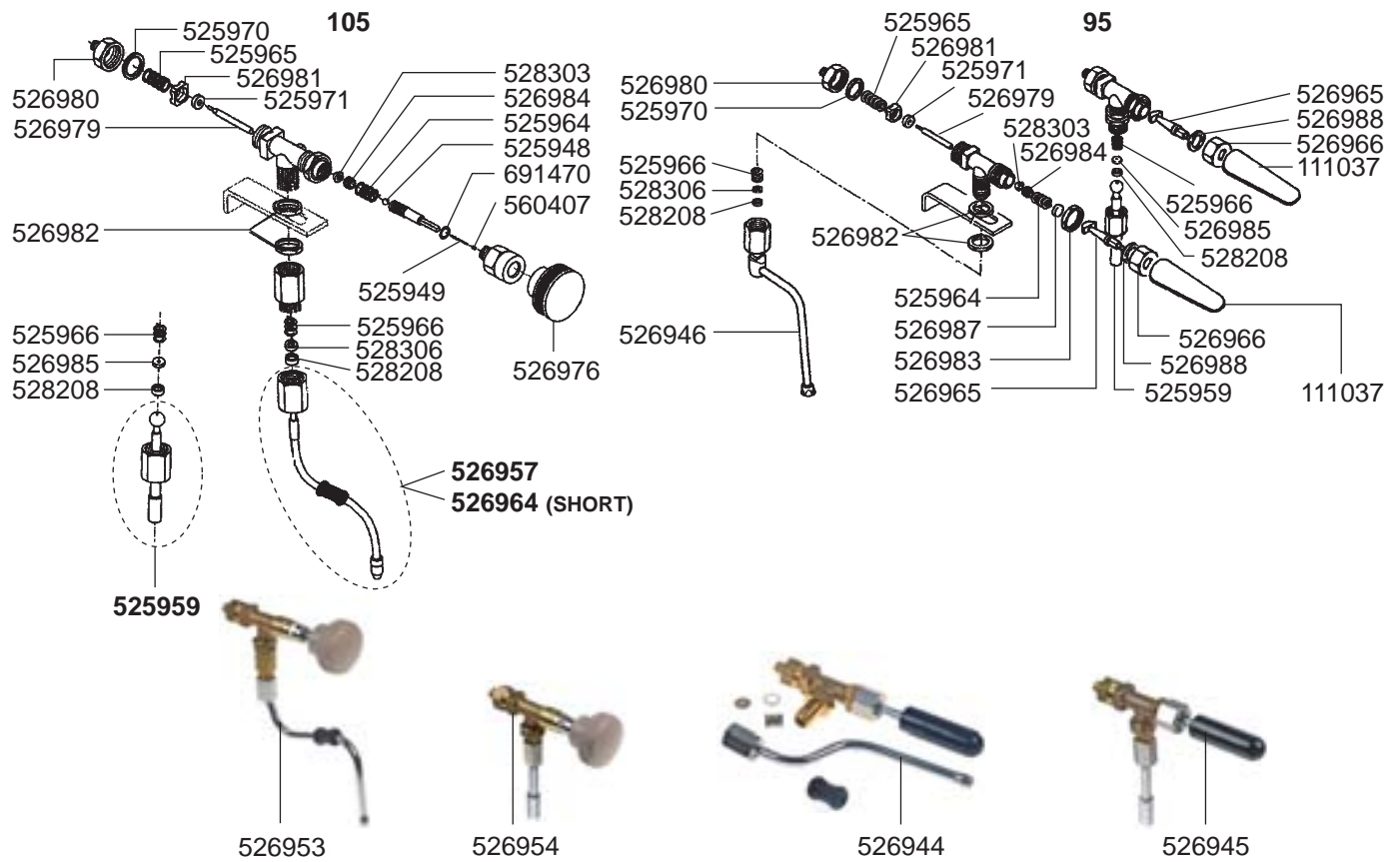
OLD MODEL GROUPS



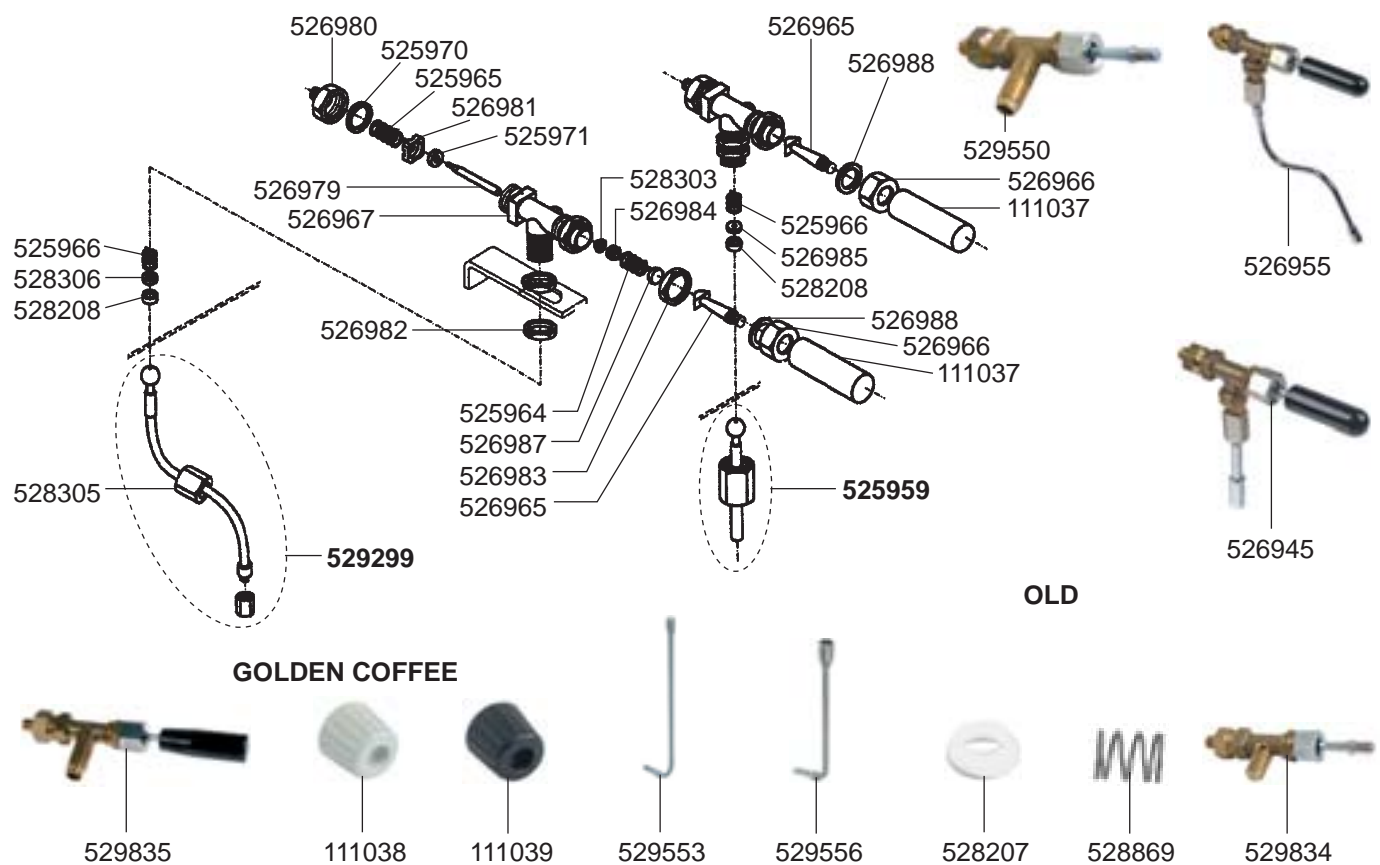
FILTER HOLDERS



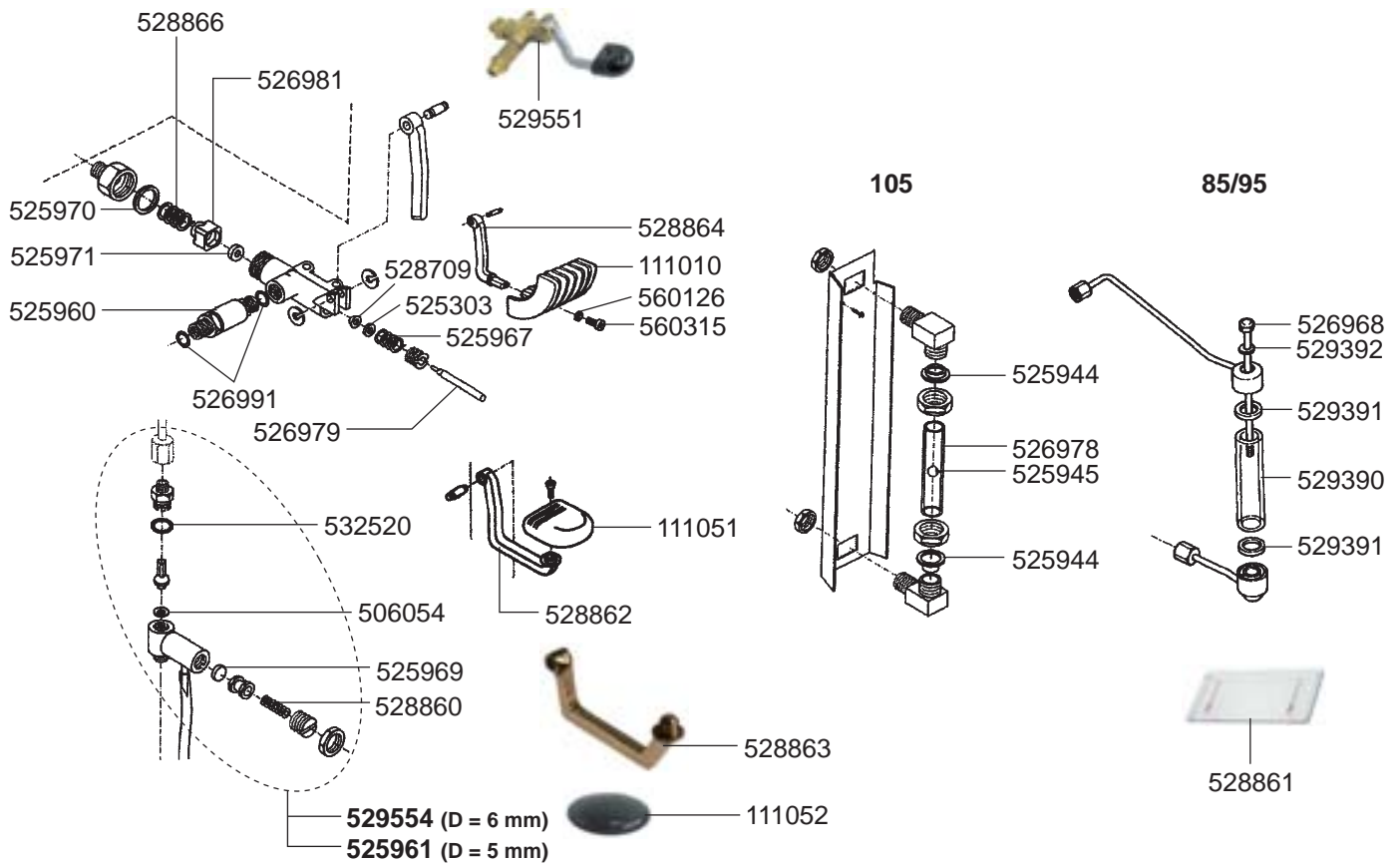
STEAM/WATER TAPS 105/95



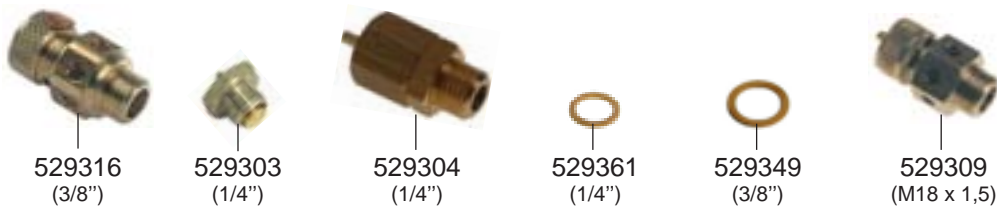
STEAM/WATER TAPS 85



Inlet VALVE/VALVES/LEVEL INDICATOR



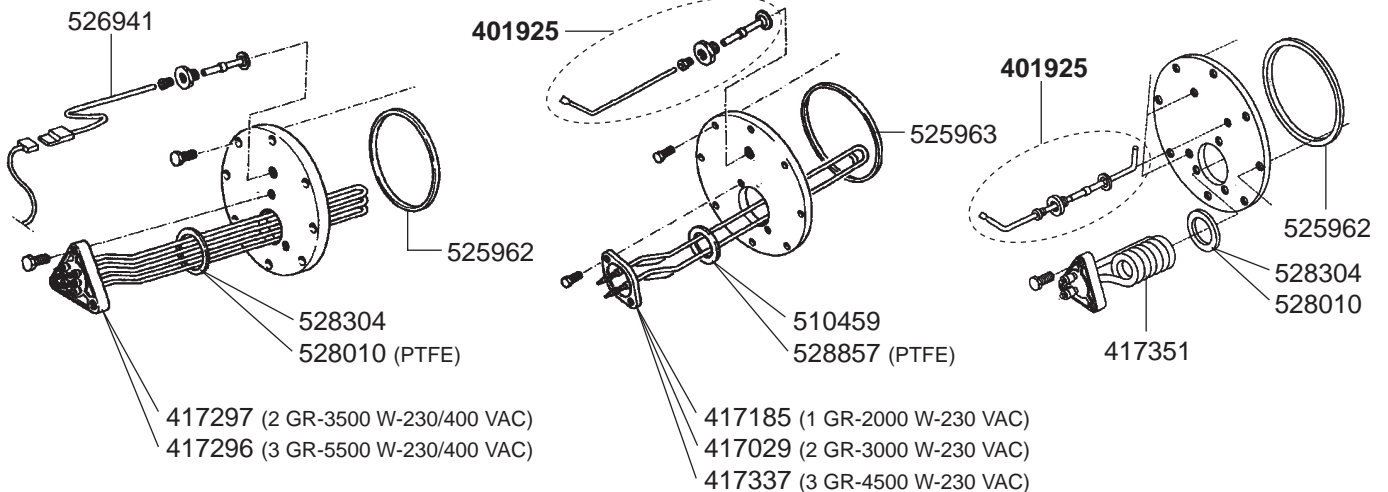
BOILER VARIOUS



85/95

95 PRACTICAL/95 SPRINT

85 PRACTICAL



BOILER/MANOMETERS/DRIP TRAYS VARIOUS

105

529316 (3/8") 529303 (1/4") 529304 (1/4") 529361 (1/4") 529349 (3/8") 529309 (M18 x 1,5)

105 1 GR-105 COMPACT

379475 401925 525962 525963 510459 528857 (PTFE)

528304 528010 (PTFE)

541220 (85/95) 541720 (105)

529751 (85/95) 526975 (105)

390324

417297 (2 GR-3500 W-230/400 VAC)
417296 (3 GR-5500 W-230/400 VAC)

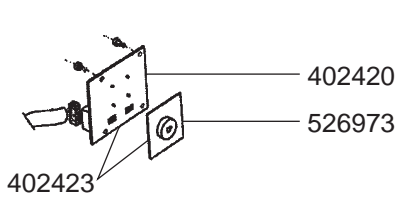
417185 (1 GR-2000 W-230 VAC)
417029 (COMPACT-3000 W-230 VAC)

528011

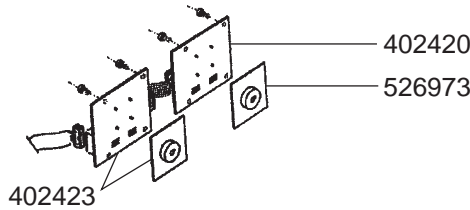
417026 (1 GR-1000 W-230 VAC)
417027 (2 GR-1300 W-230 VAC)
417142 (3 GR-1850 W-230 VAC)

ELECTRICAL COMPONENTS 105

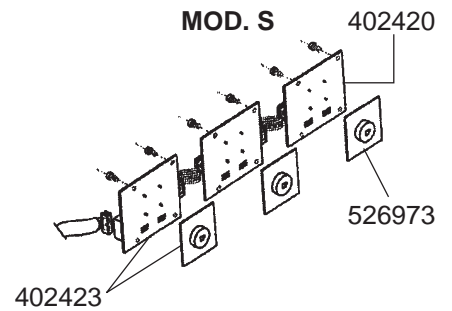
MOD. 1 GRUPPO S



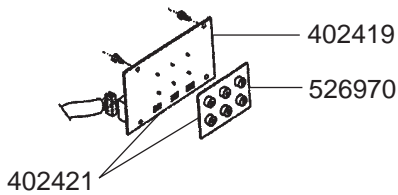
MOD. COMPACT S



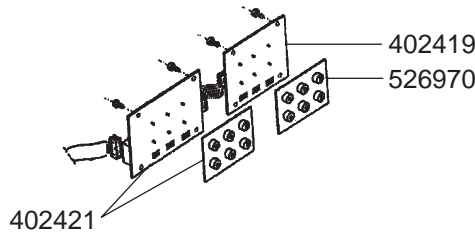
MOD. S



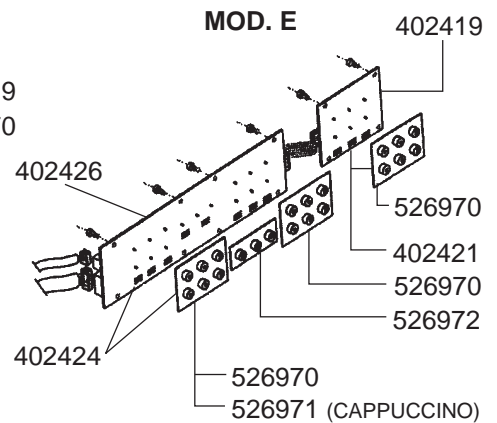
MOD. 1 GRUPPO S



MOD. COMPACT E

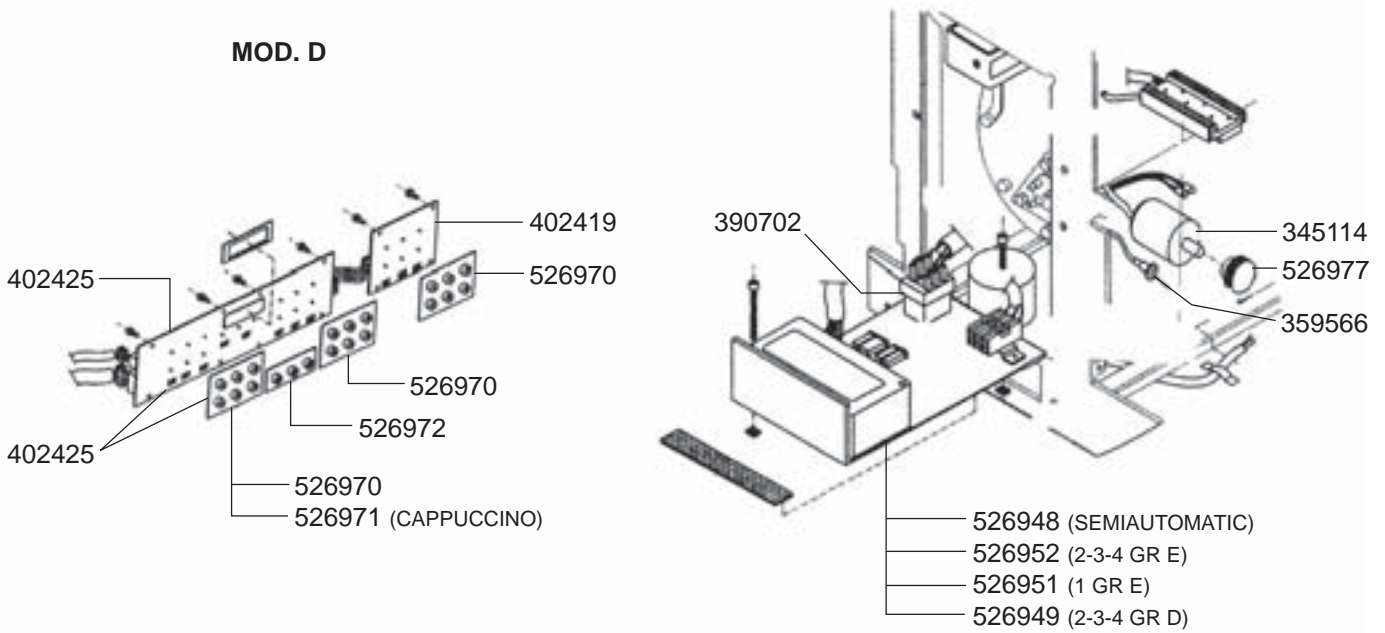


MOD. E

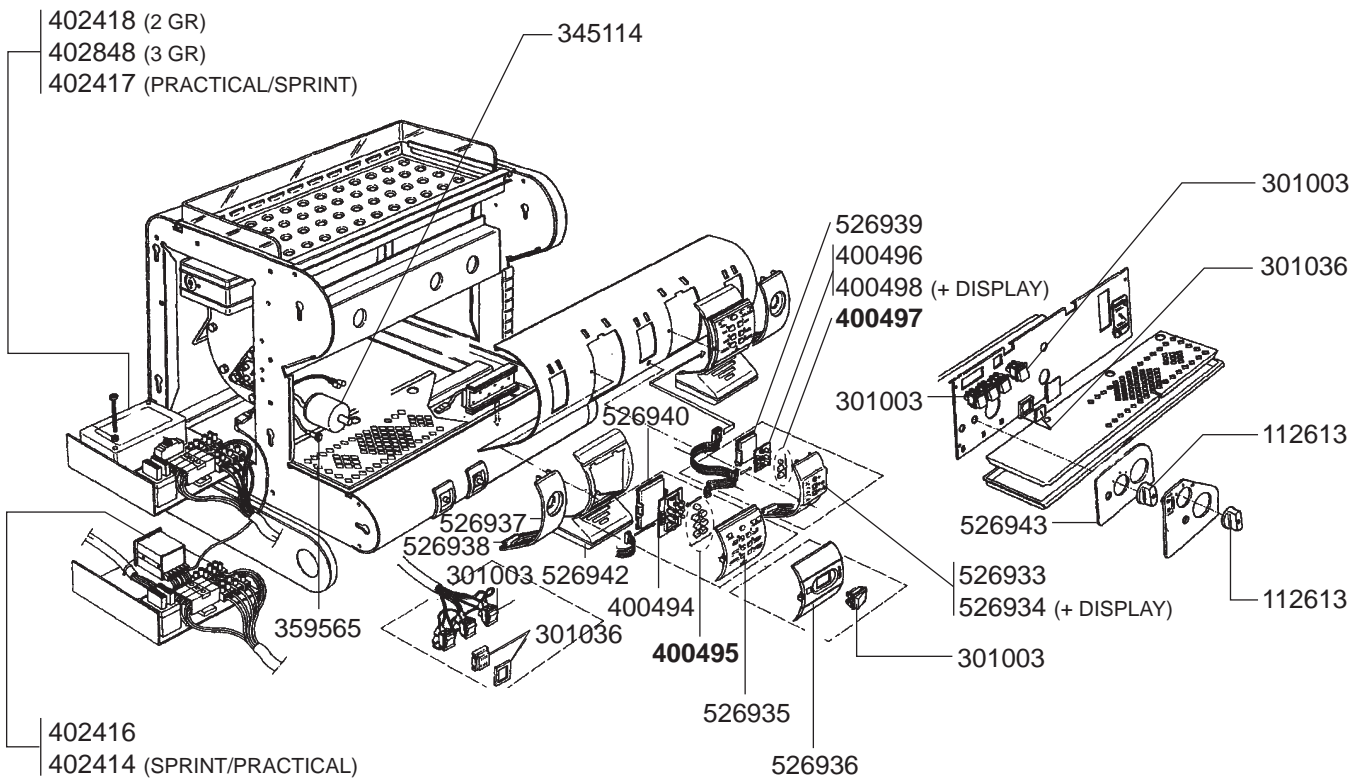


ELECTRICAL COMPONENTS 105

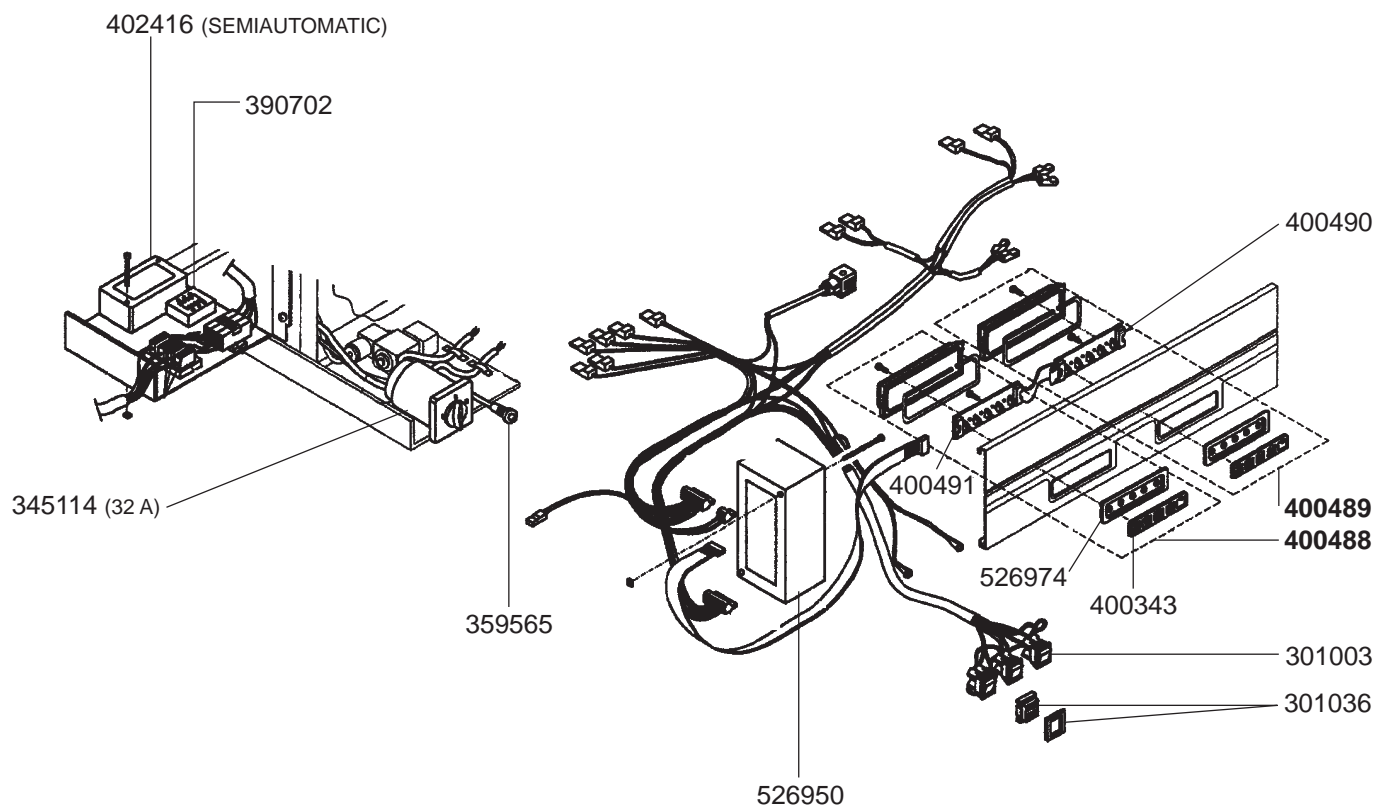
MOD. D



ELECTRICAL COMPONENTS 95



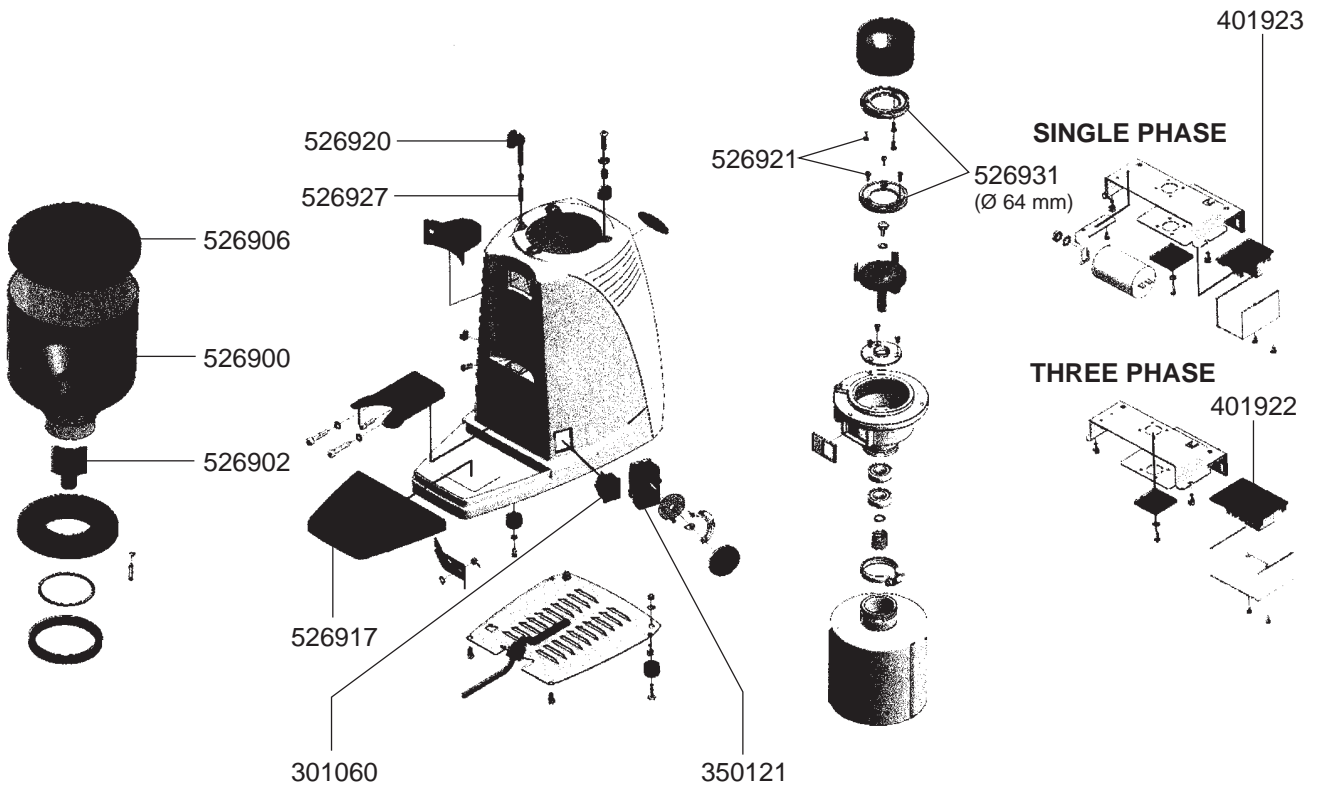
ELECTRICAL COMPONENTS 85



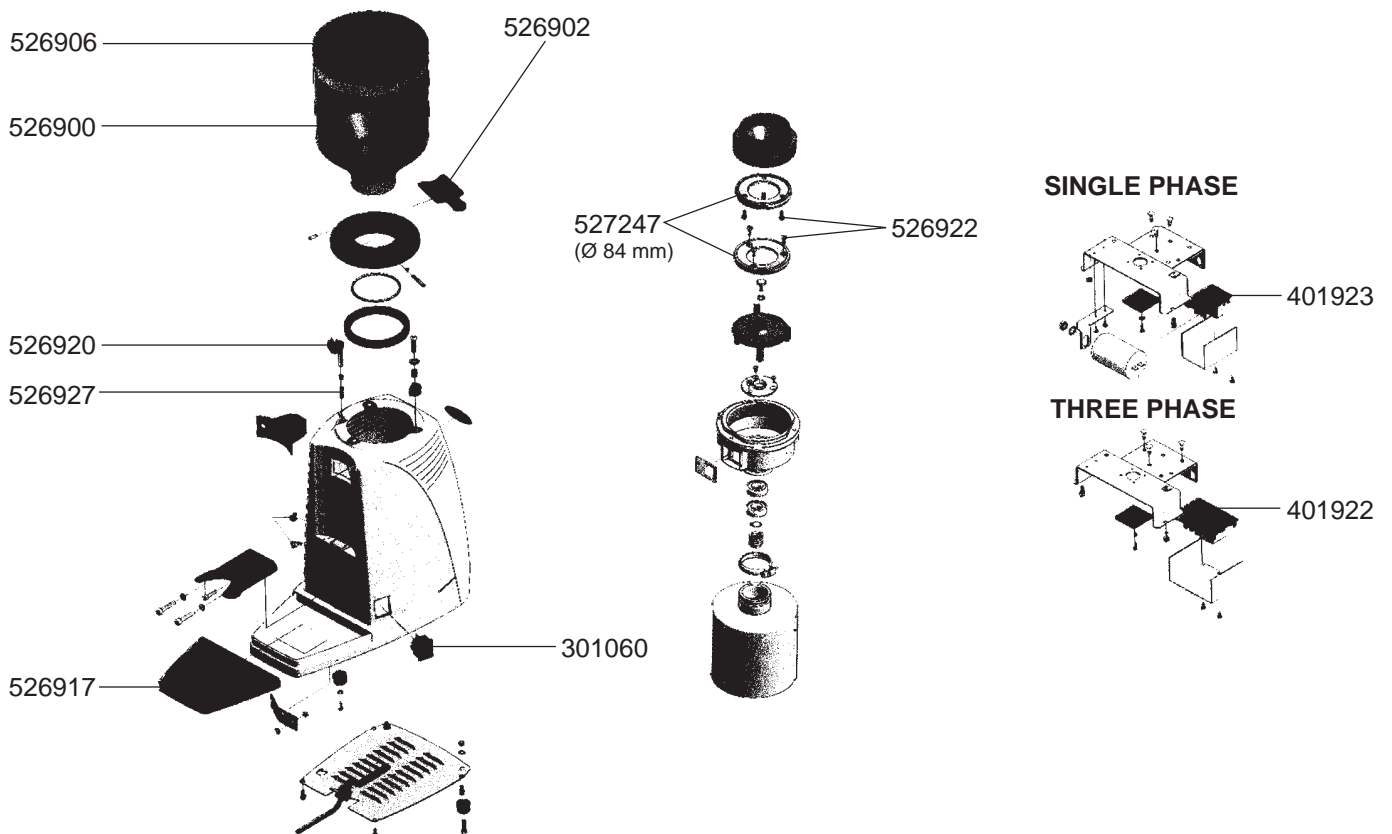
ELECTRICAL COMPONENTS VARIOUS



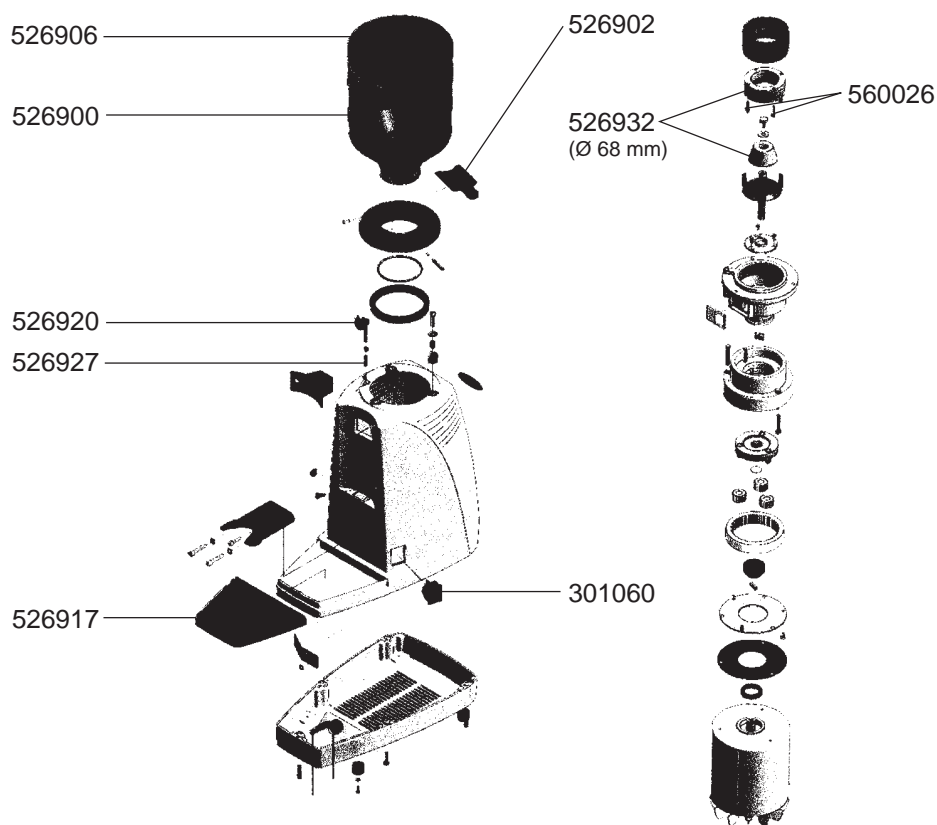
SM92



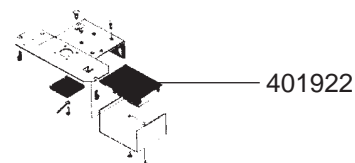
SM97



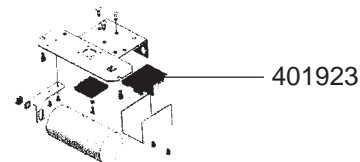
SM TK



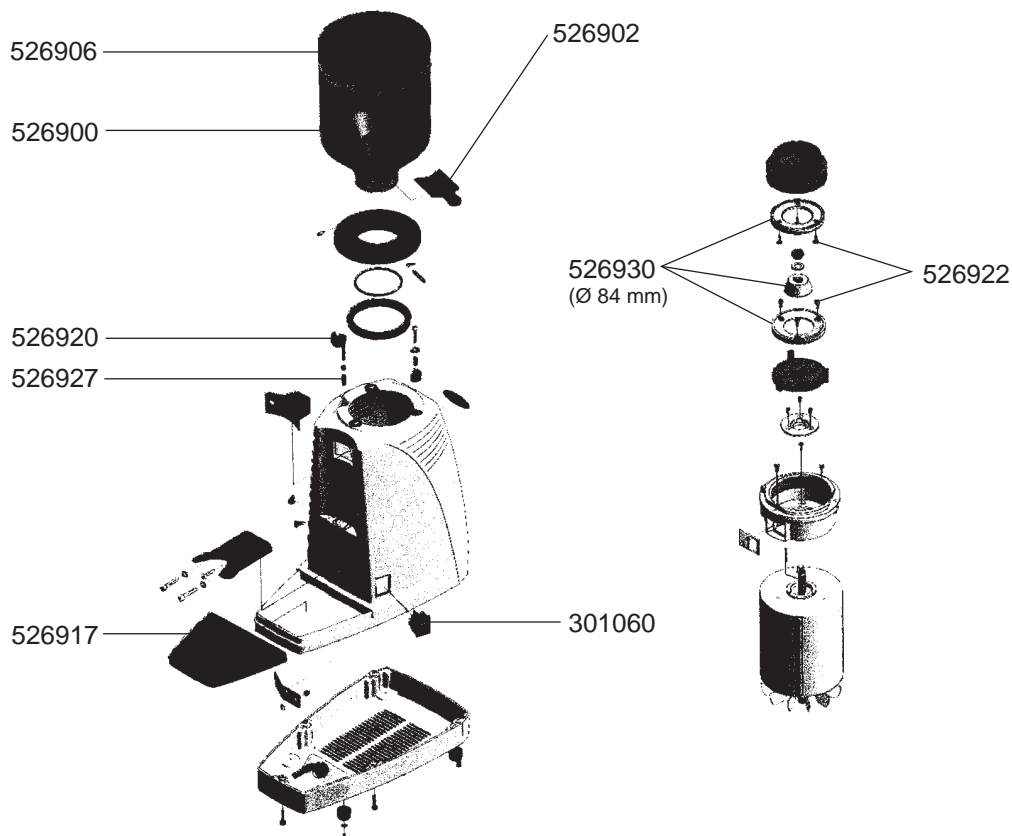
THREE PHASE



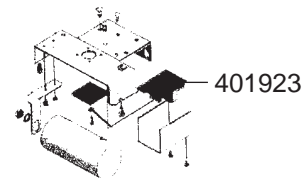
SINGLE PHASE



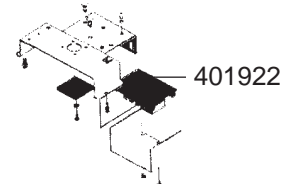
SM LK



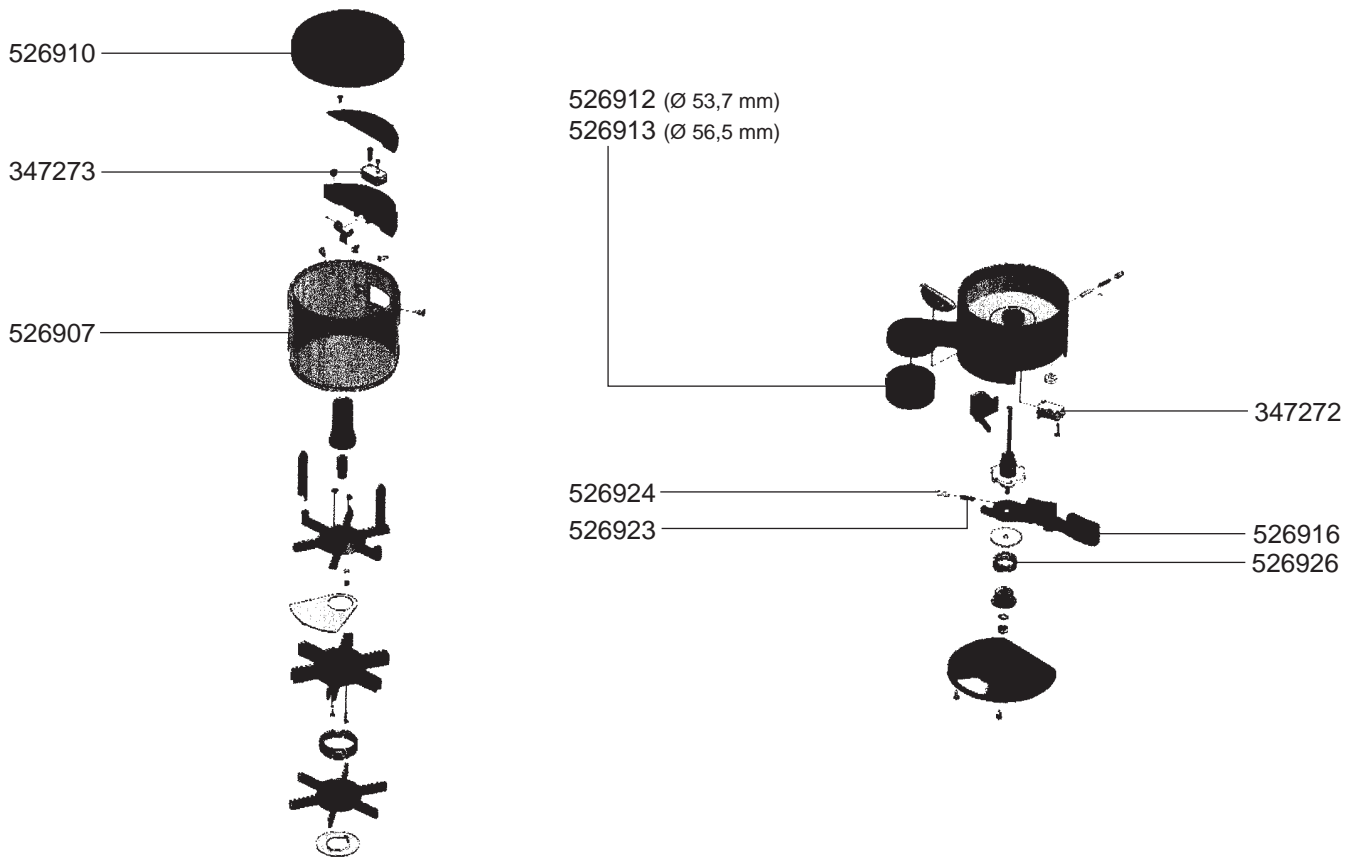
SINGLE PHASE



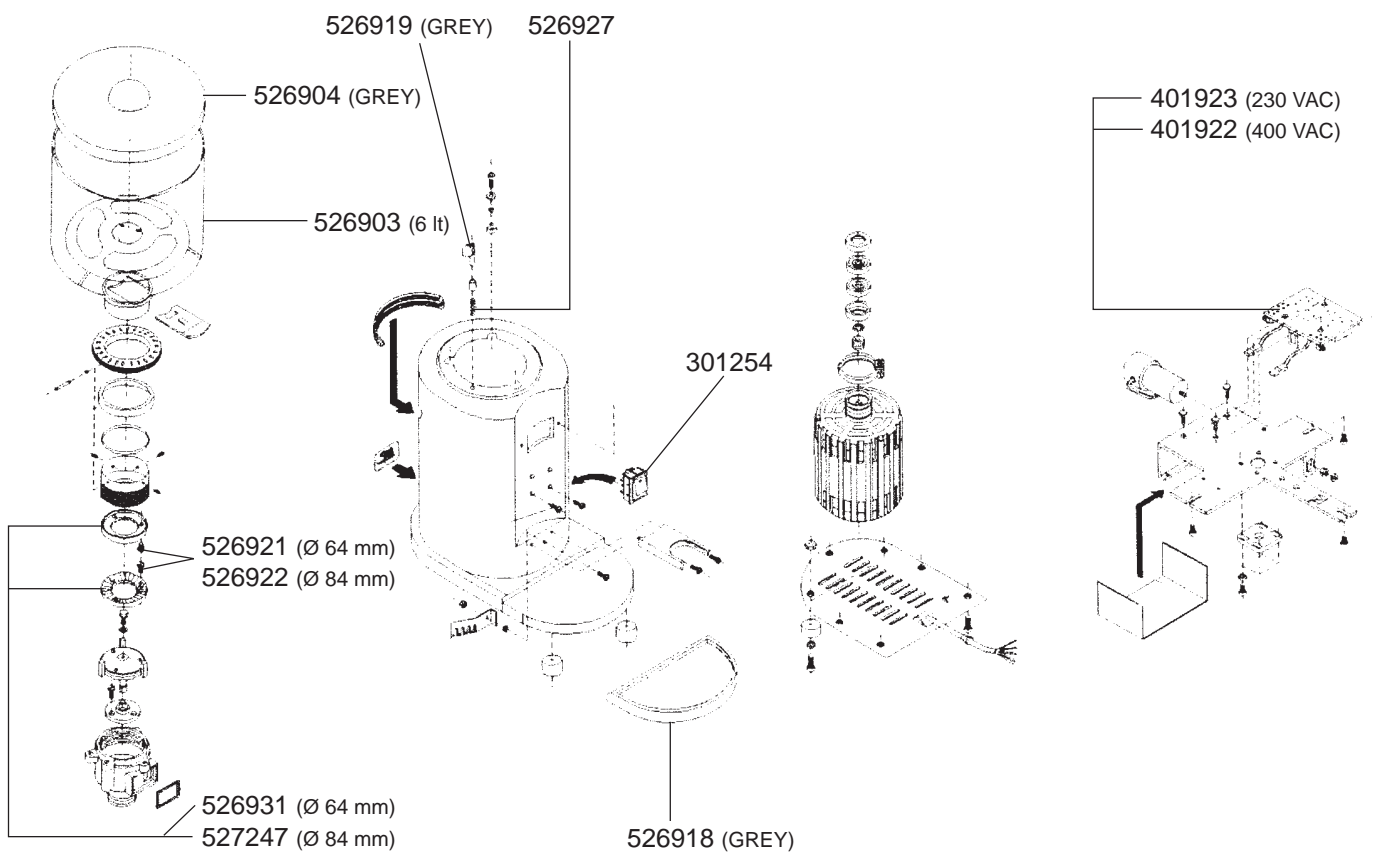
THREE PHASE



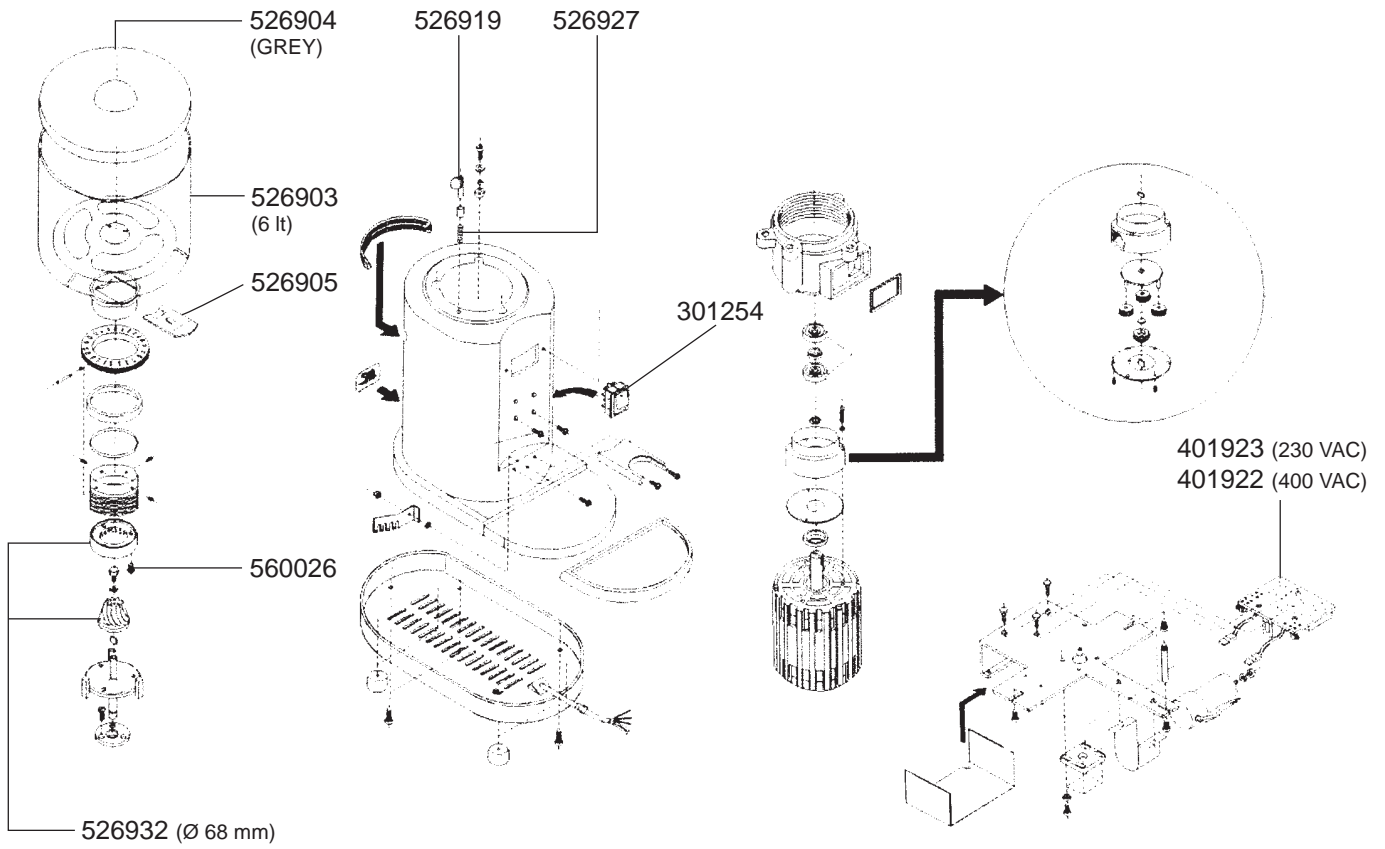
SM92/SM97/SM TK/SM LK



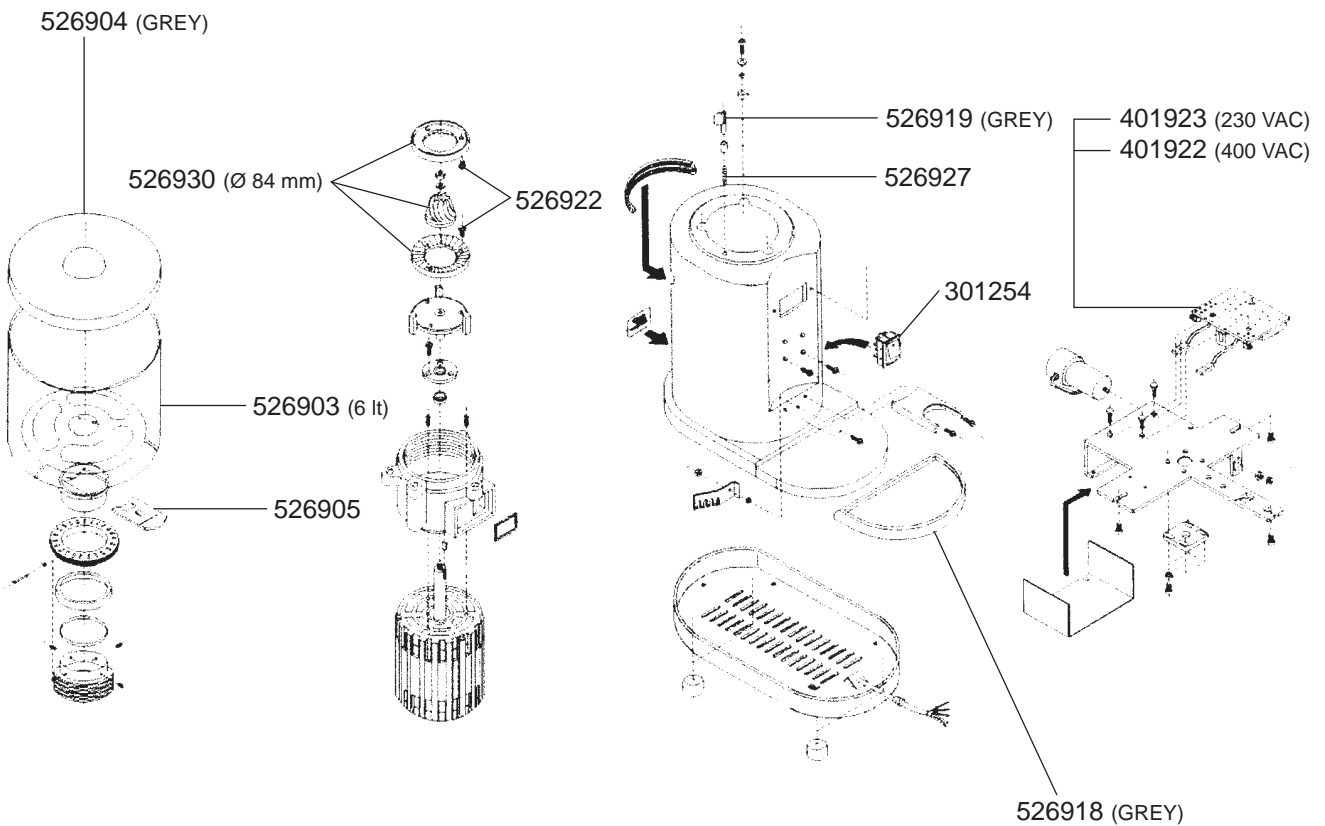
SM91/SM96



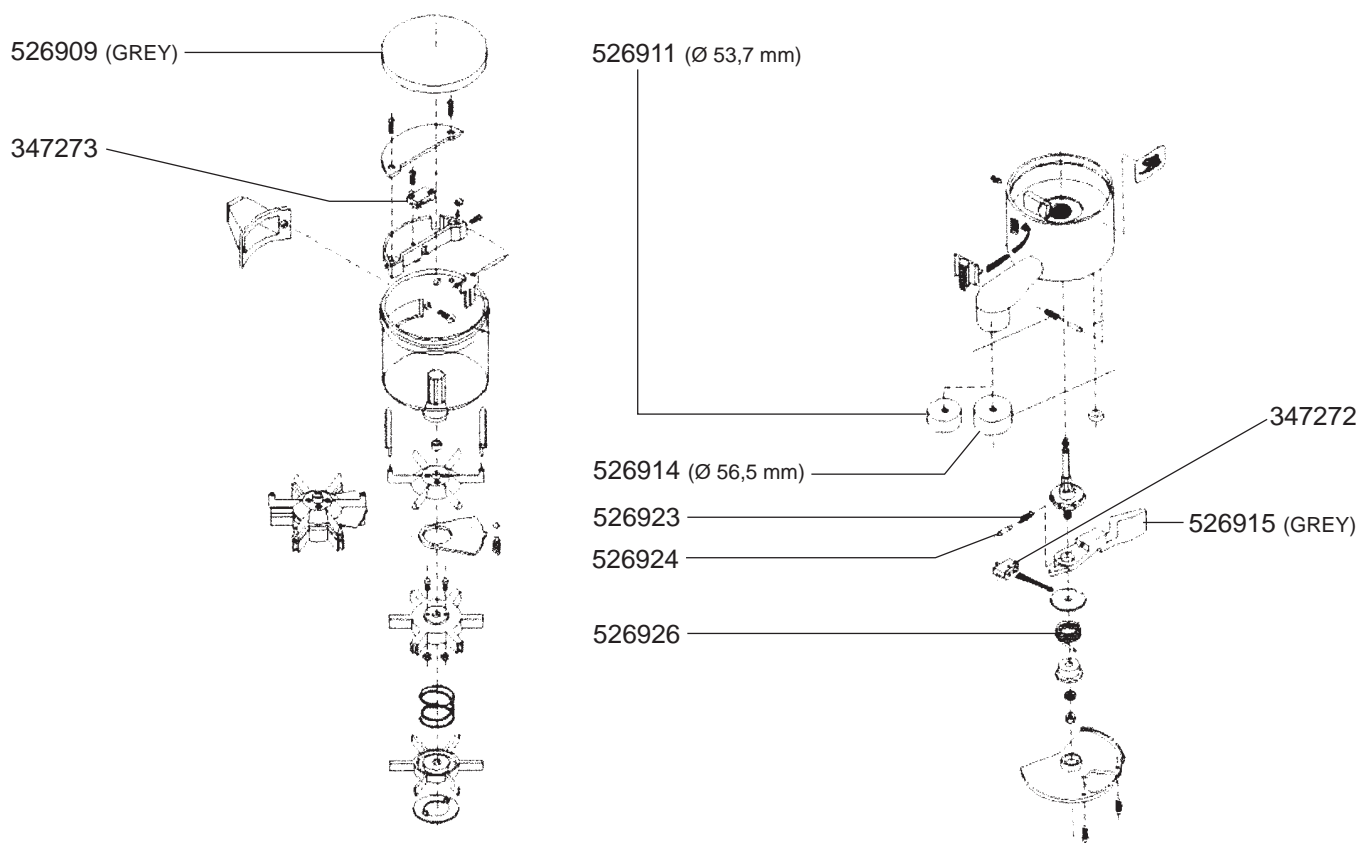
SM FK



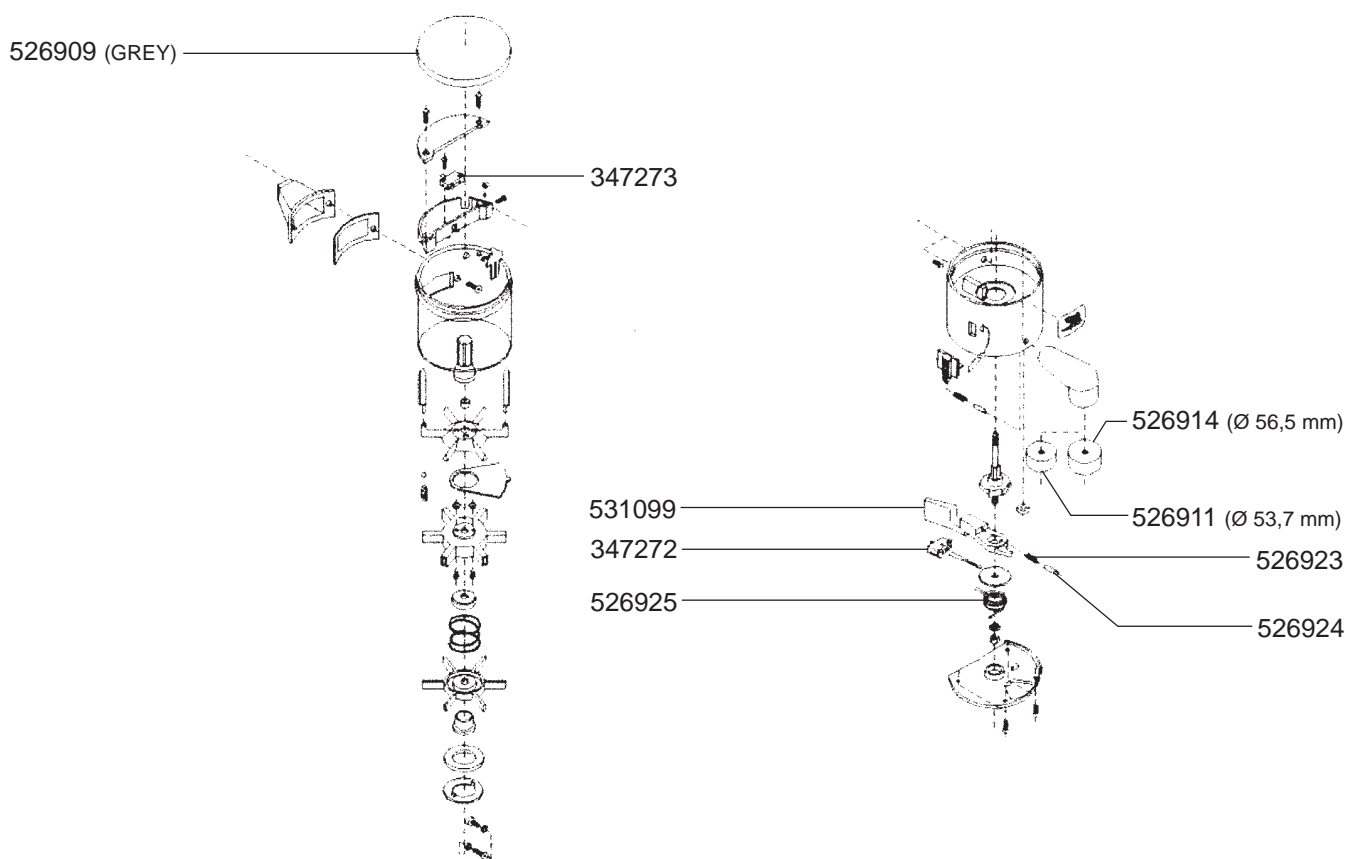
SM MK



SM91/SM96/SM FK/SM MK

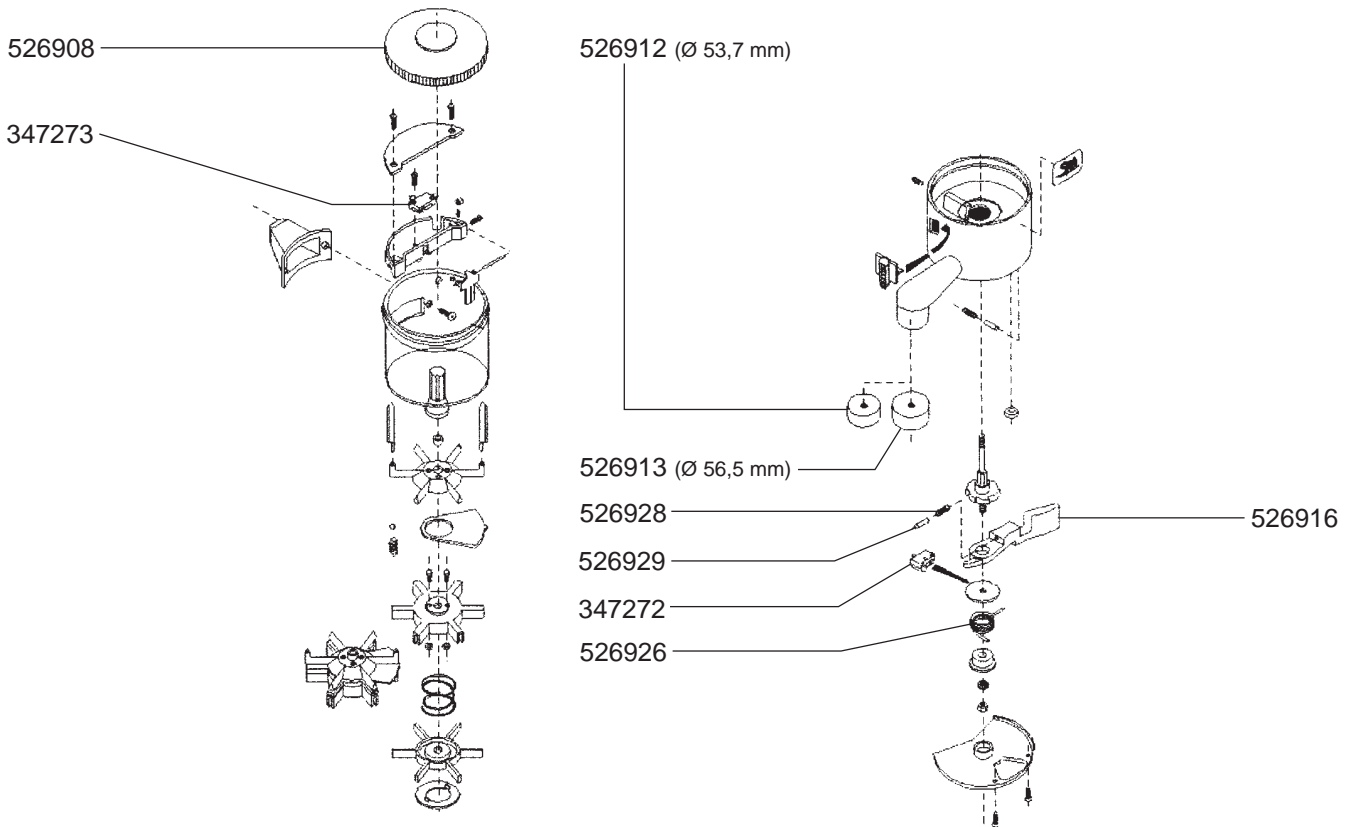
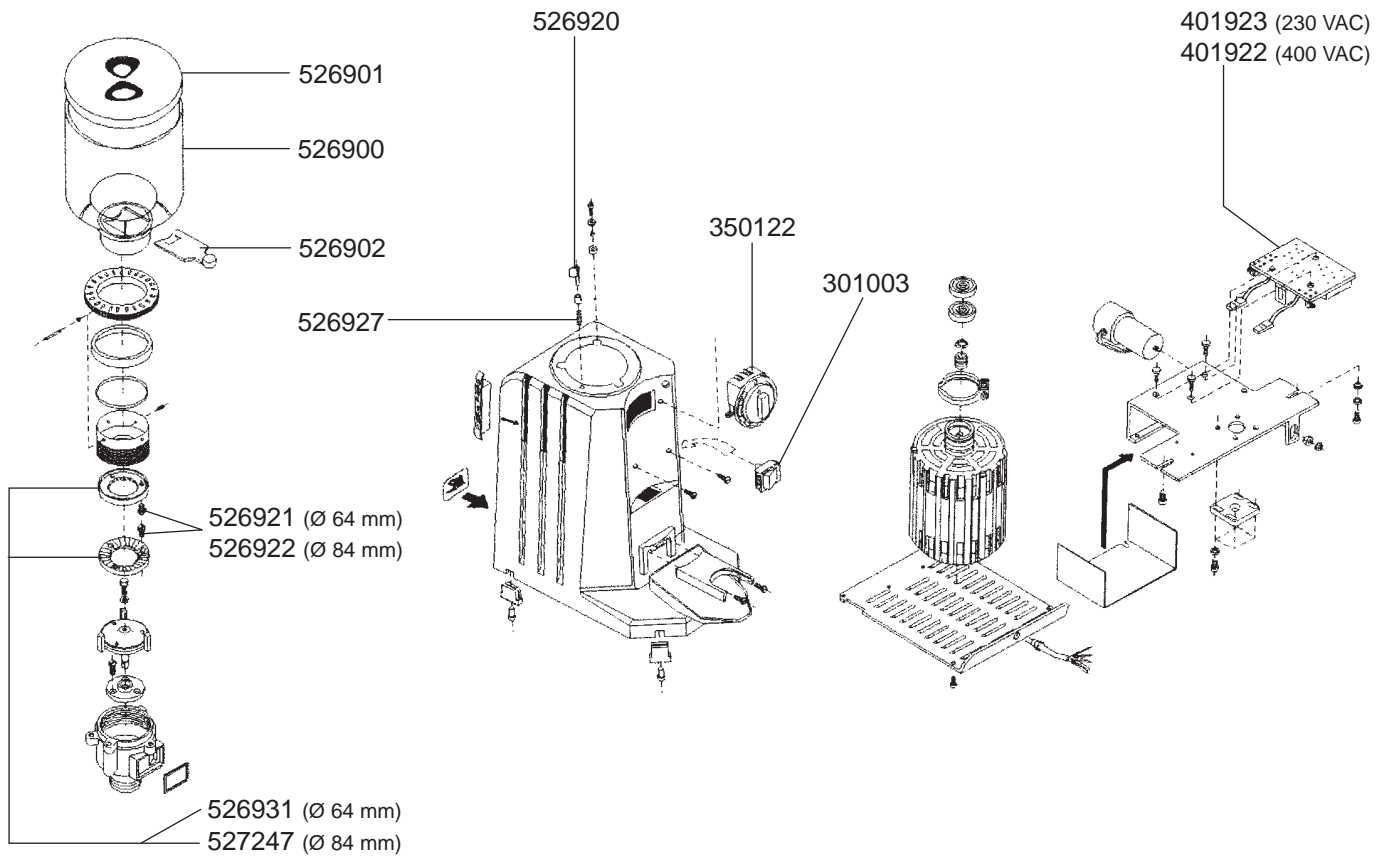


SM91/SM96/SM FK/SM MK LEFT



SM90/SM95

2
COFFEE GRINDERS





www.gastroparts.pl



GASTROPARTS Sp. J.

Klonowica 37
87-100 Toruń
tel. +48 56 657 00 68
fax +48 56 657 00 67
gastroparts@gastroparts.pl

