



KAWA

Części zamienne do urządzeń: **FRANCINO**

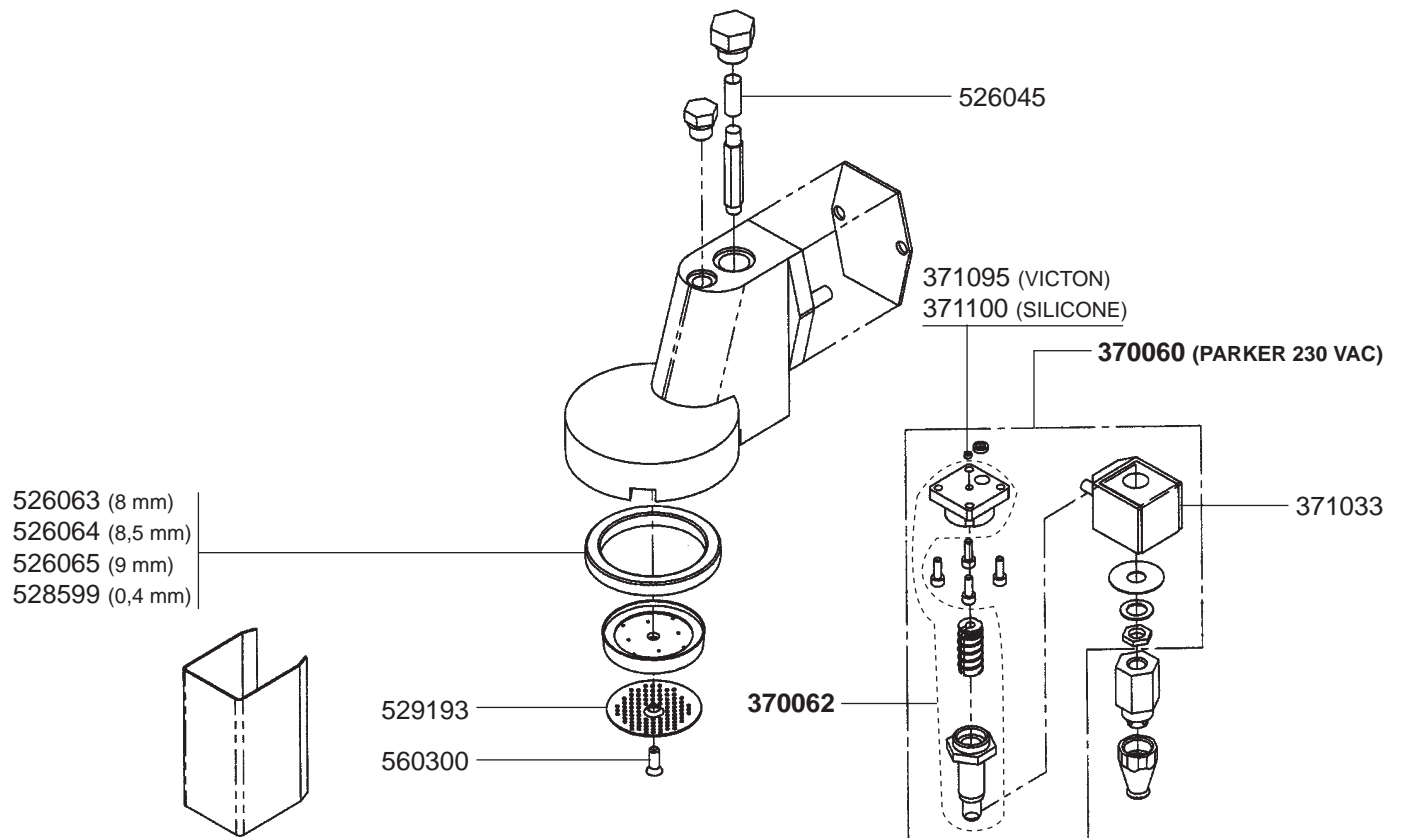


GASTROPARTS Sp. J.

Klonowica 37
87-100 Toruń
tel. +48 56 657 00 68
fax +48 56 657 00 67
gastroparts@gastroparts.pl



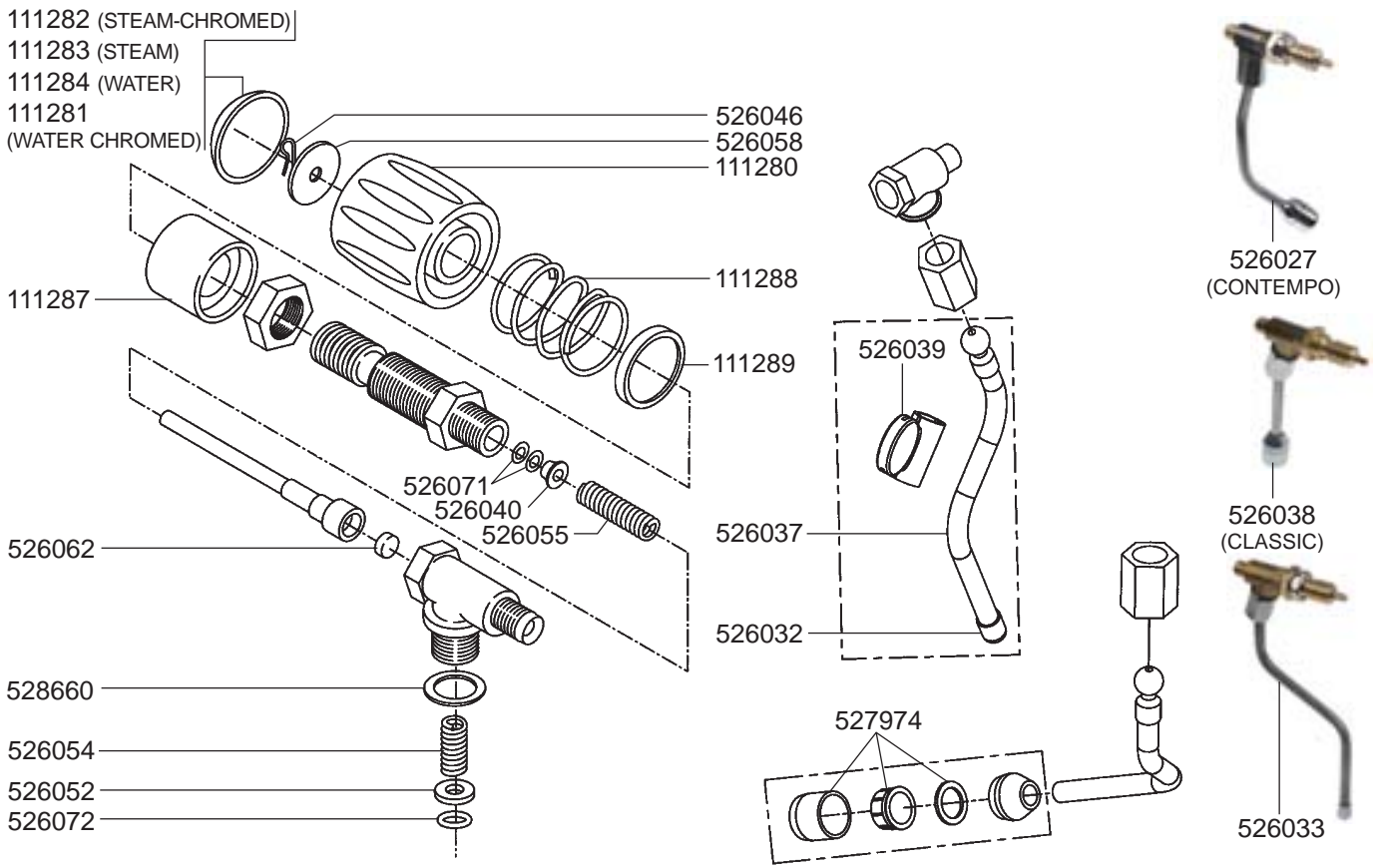
GROUP



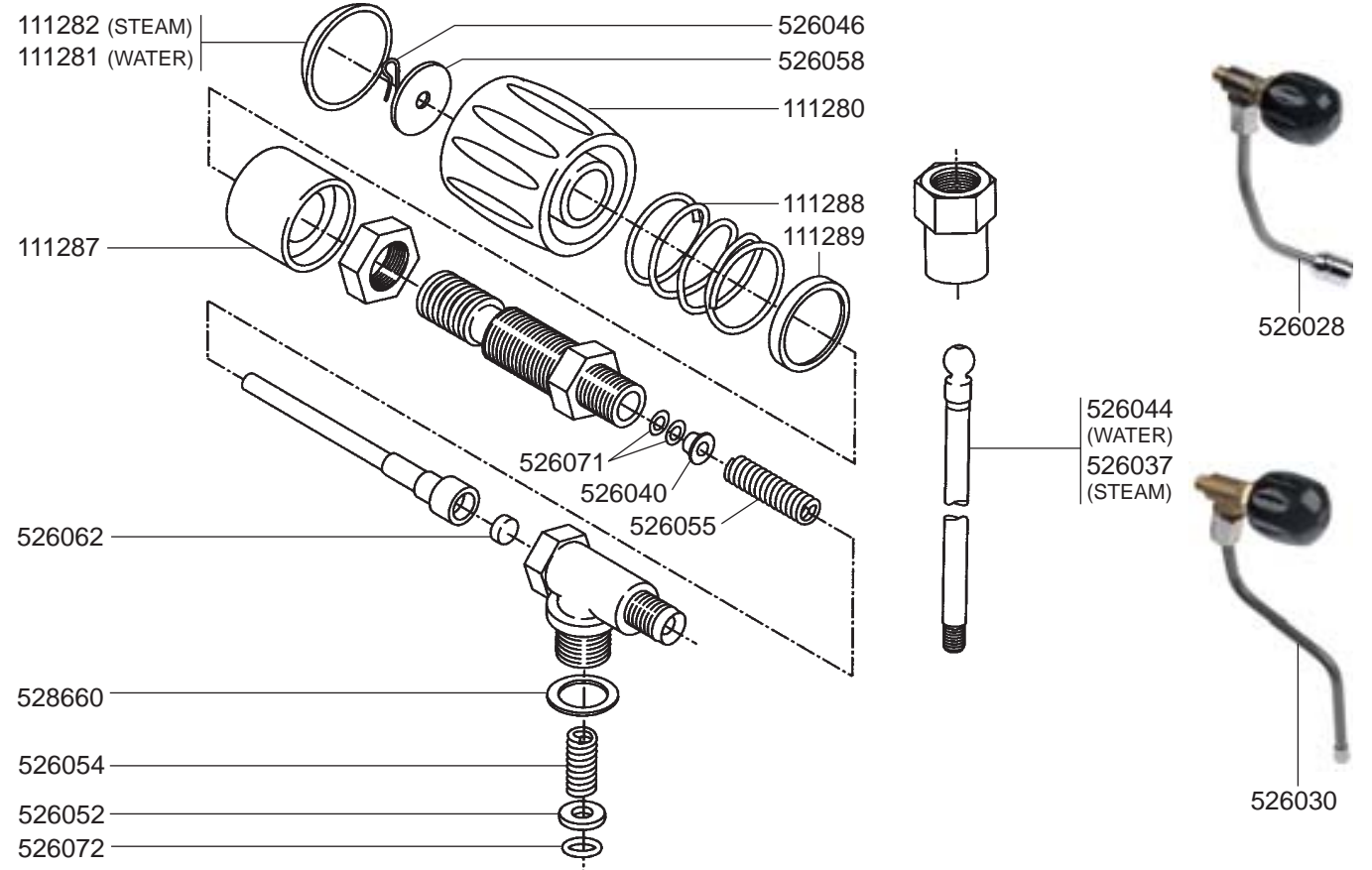
FILTER HOLDERS



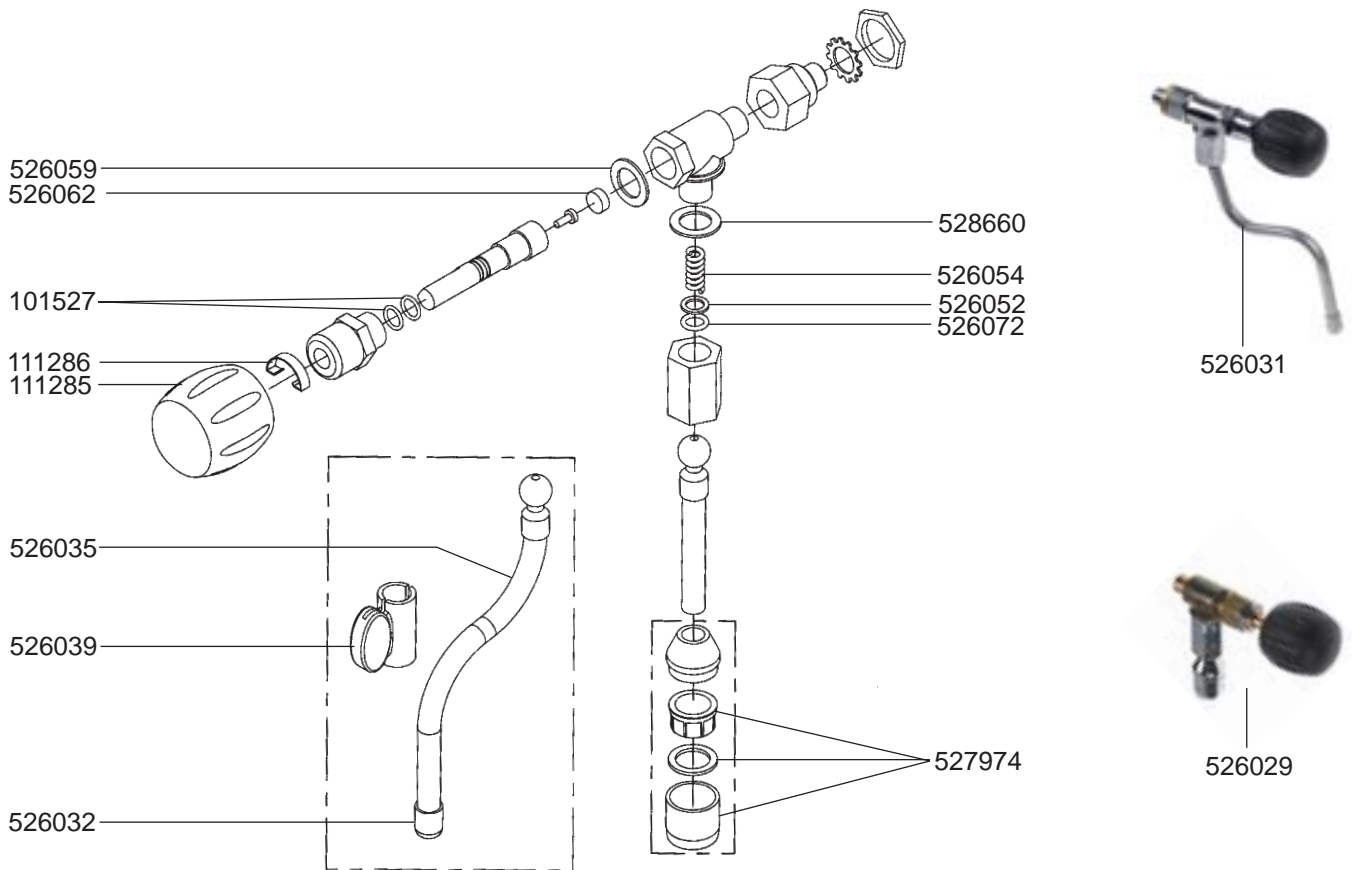
STEAM/WATER TAPS CLASSIC-CONTEMPO



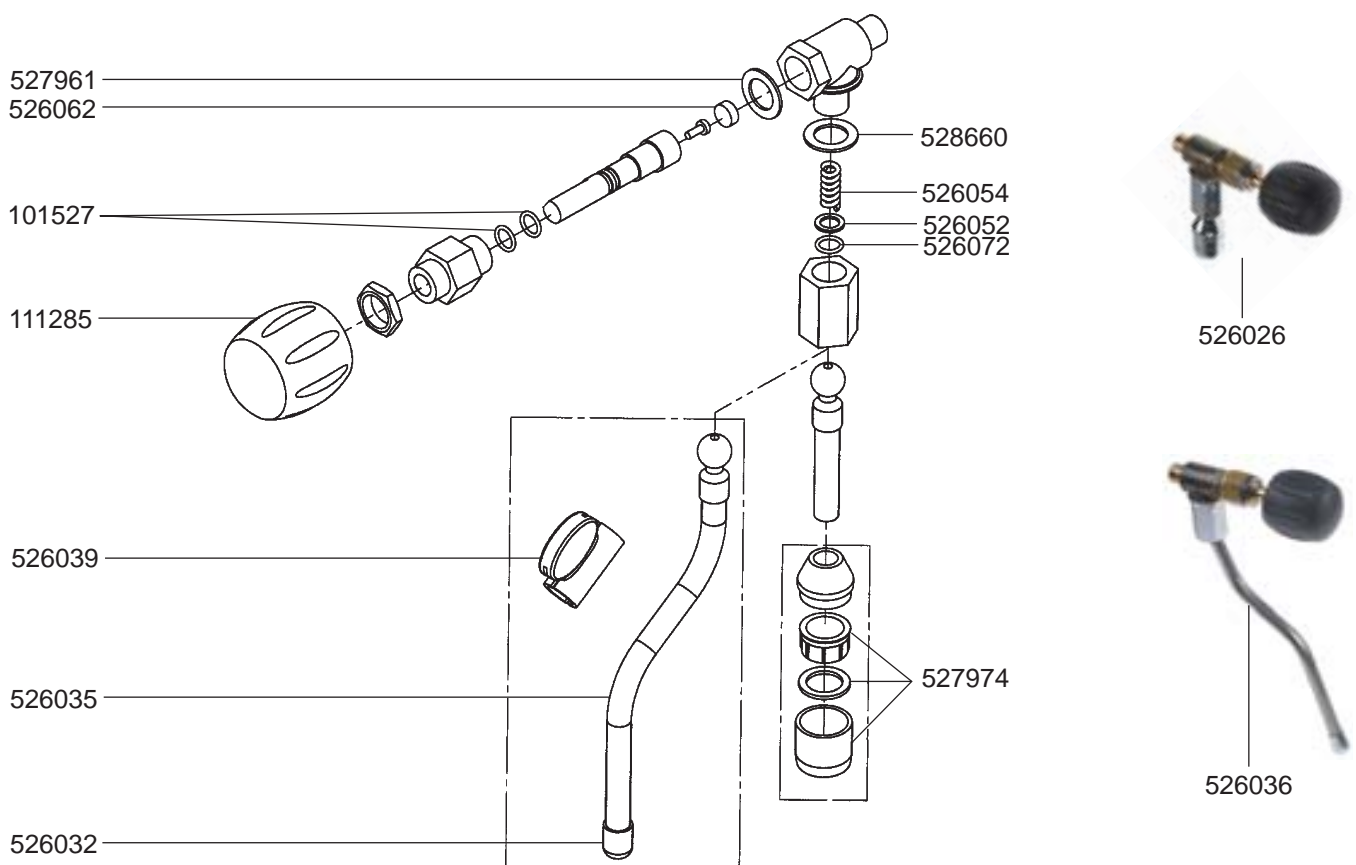
STEAM TAP BAMBINO



STEAM/WATER TAPS CHERUB

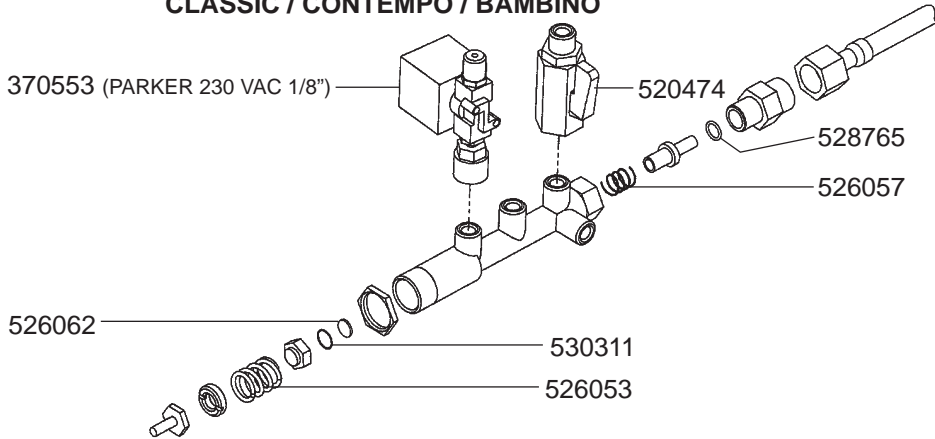


STEAM/WATER TAPS HEAVENLY

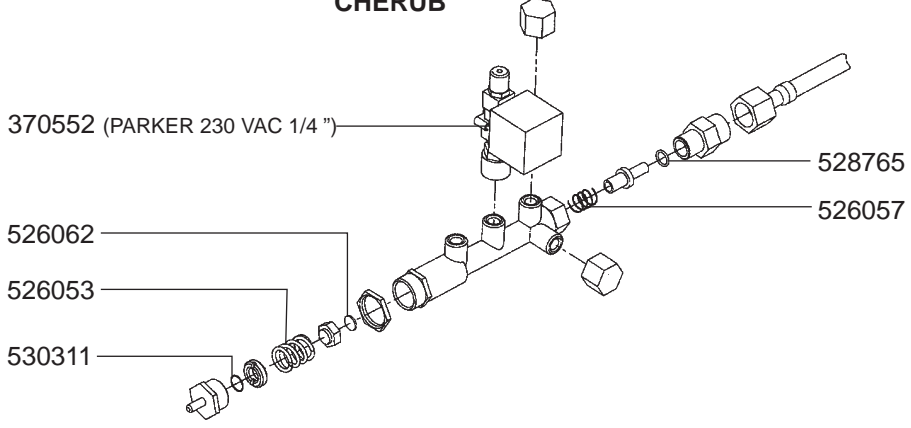


VALVES CLASSIC/CONTEMPO/BAMBINO/CHERUB

CLASSIC / CONTEMPO / BAMBINO

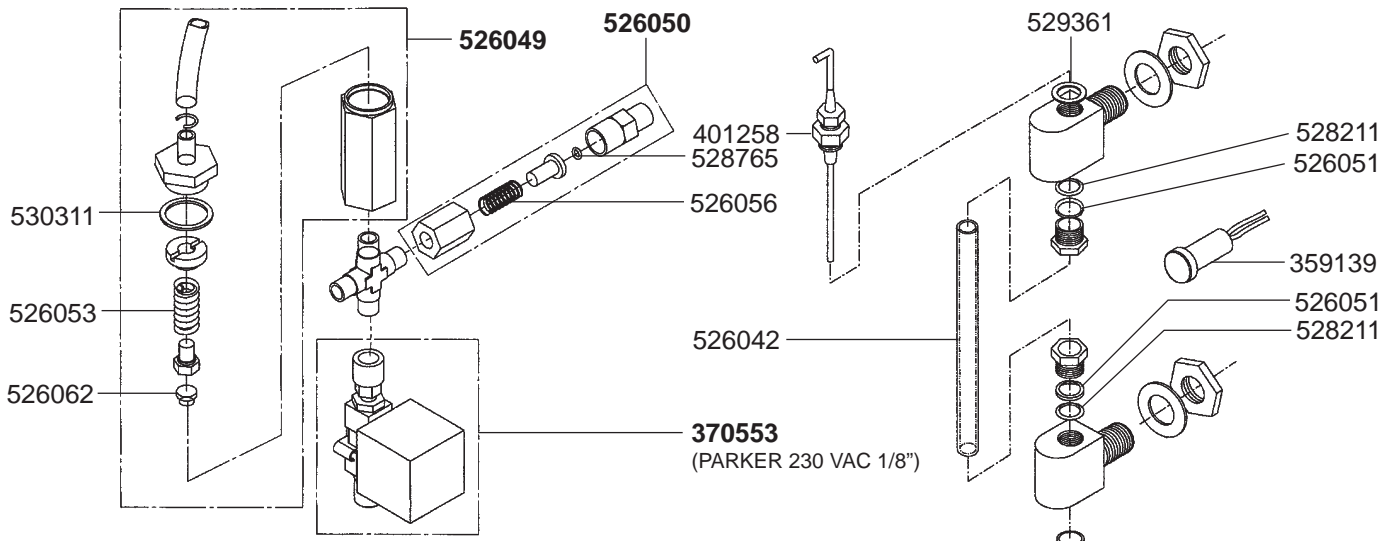


CHERUB



VALVES HEAVENLY - LEVEL INDICATOR

HEAVENLY



BOILER VARIOUS

526047 (3/8") 529312 (3/8") 529316 (3/8") 529303 (1/4") 529304 (1/4")

529349 (3/8")
529361 (1/4")

541708 (CLASSIC/CONTEMPO/BAMBINO) 541692 (HEAVENLY/CHERUB)

528017
417246
390689

526021

HEAVENLY/CHERUB

CLASSIC/CONTEMPO/BAMBINO

417247 (1 GR 2700 W 230 VAC)
417248 (2 GR 4000 W 230 VAC)
417249 (3 GR 7500 W 230 VAC)

526061 (VITON)
528925 (PTFE)
526060 (FIBER)

ELECTRICAL COMPONENTS

CLASSIC/CONTEMPO **BAMBINO** **CHERUB**

301247 359139 347212 301247

301248 402252 402252 402567 (WITH CABLE) 359140 359138 528636 (GICAR ref.9.1.40.52G00)

347449 347448 301247 301247 359138 (RED) 359139 (GREEN) 301247 301247 301247 301246

402255 (1 GR GICAR ref.9.5.17.80G00)
402254 (2 GR GICAR ref.9.5.24.12G)
402253 (3 GR GICAR ref.9.5.23.12G09)
402103 (SEMI-WATER LEVEL CONTROL GICAR ref.9.1.40.71G)

402103 (GICAR ref.9.1.40.71G)

359140 301246 359138 301247 400240 (GICAR ref.9.1.00.67G)

ELECTRICAL COMPONENTS VARIOUS



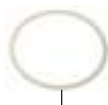
400004



400256



400257



400258



541021
(SIRAI, 30 AMP,
3 POLES)



541724
(SIRAI, 20 AMP,
3 POLES)



541723
(SIRAI, 20 AMP,
2 POLES)



541453
(PARKER)



370057
(PARKER 230 VAC)
370053
(LUCIFER 230 VAC)



370062
(PARKER)
370061
(LUCIFER)



370206
(PARKER 230 VAC 1/8")
370072
(LUCIFER 230 VAC 1/8")



371029
(PARKER 230 VAC)
371031
(LUCIFER 230 VAC)



371091



371090



371095
(VITON)



371100
(SILICONE)



www.gastroparts.pl



GASTROPARTS Sp. J.

Klonowica 37
87-100 Toruń
tel. +48 56 657 00 68
fax +48 56 657 00 67
gastroparts@gastroparts.pl

