



KAWA

# Części zamienne do urządzeń: BFC

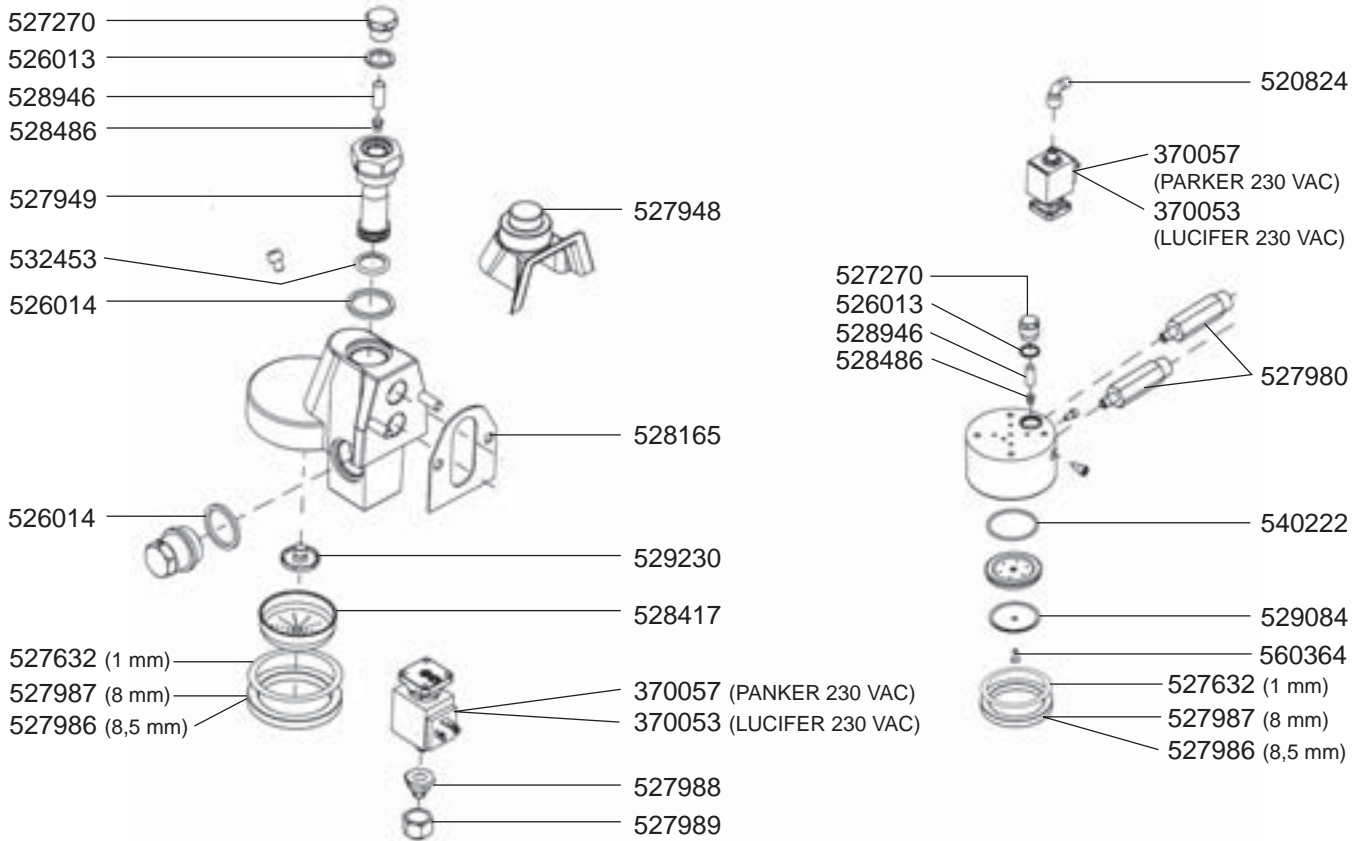


GASTROPARTS Sp. J.

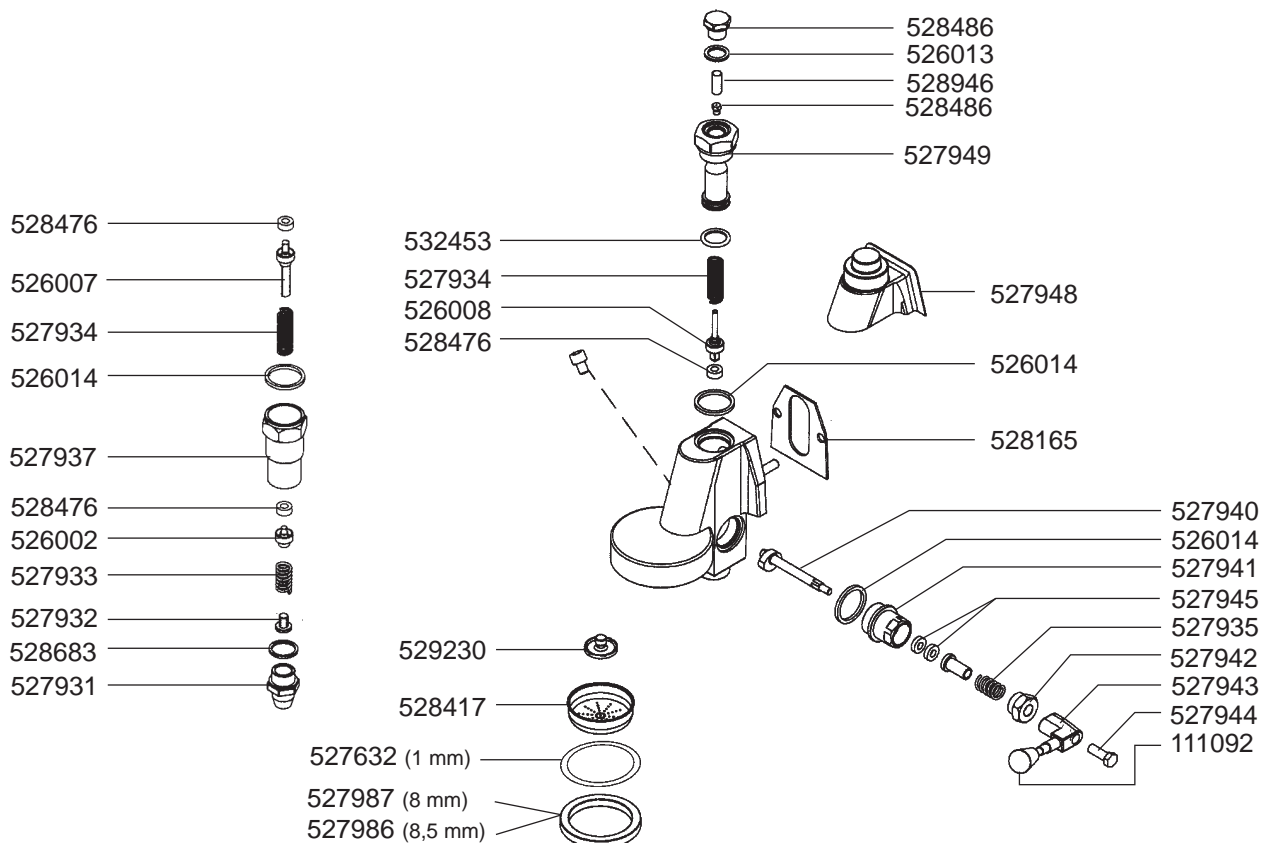
Klonowica 37  
87-100 Toruń  
tel. +48 56 657 00 68  
fax +48 56 657 00 67  
gastroparts@gastroparts.pl



## SOLENOID GROUPS



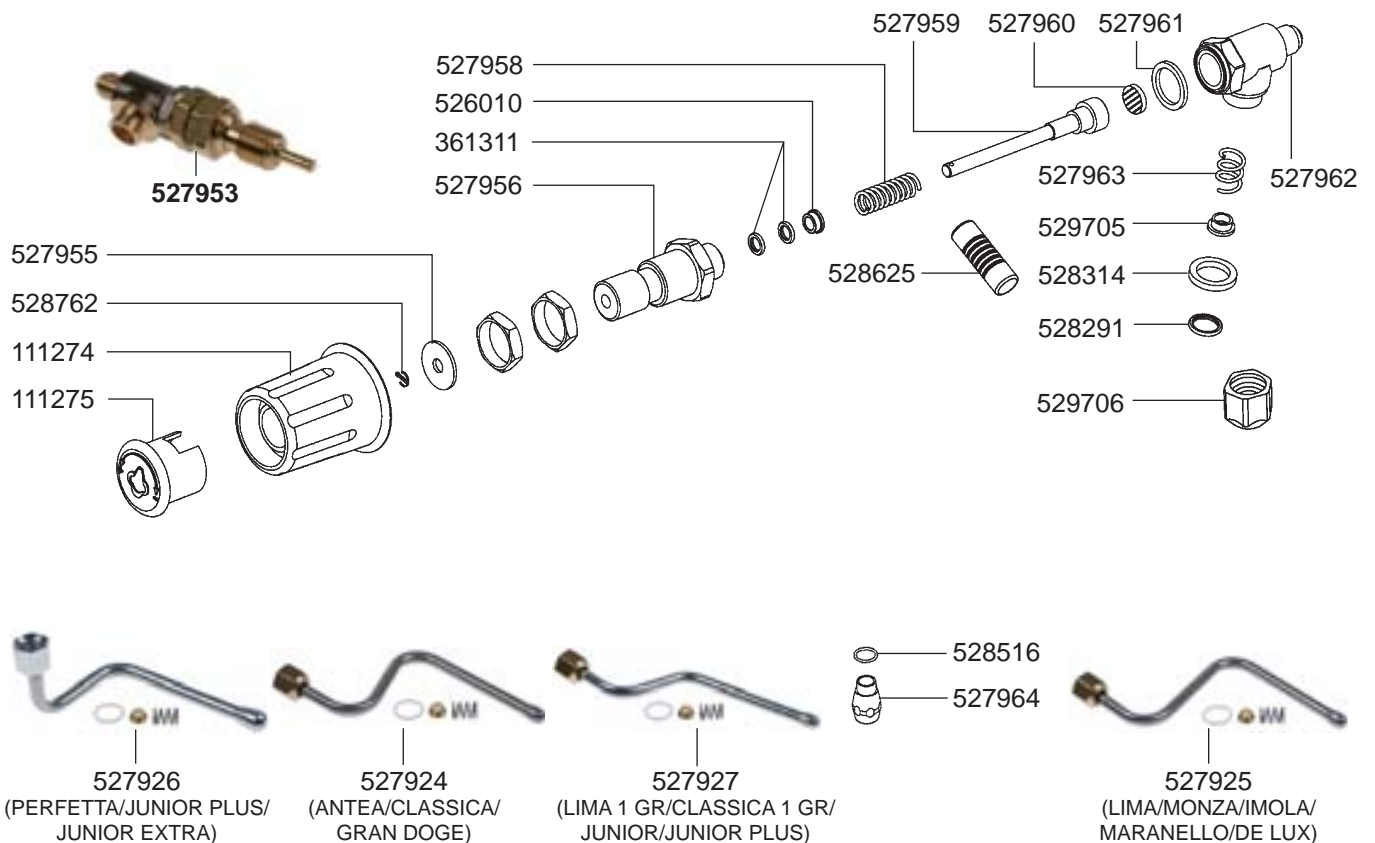
## MANUAL GROUP



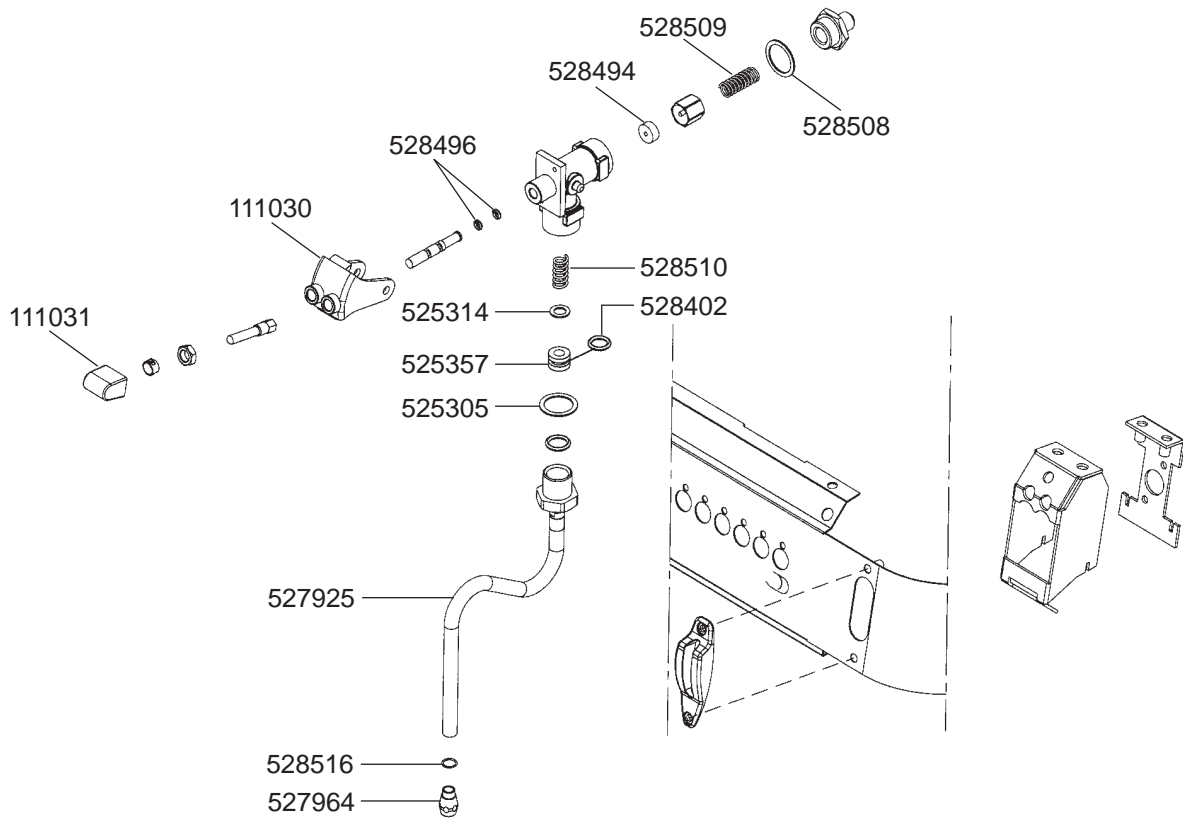
FILTER HOLDERS



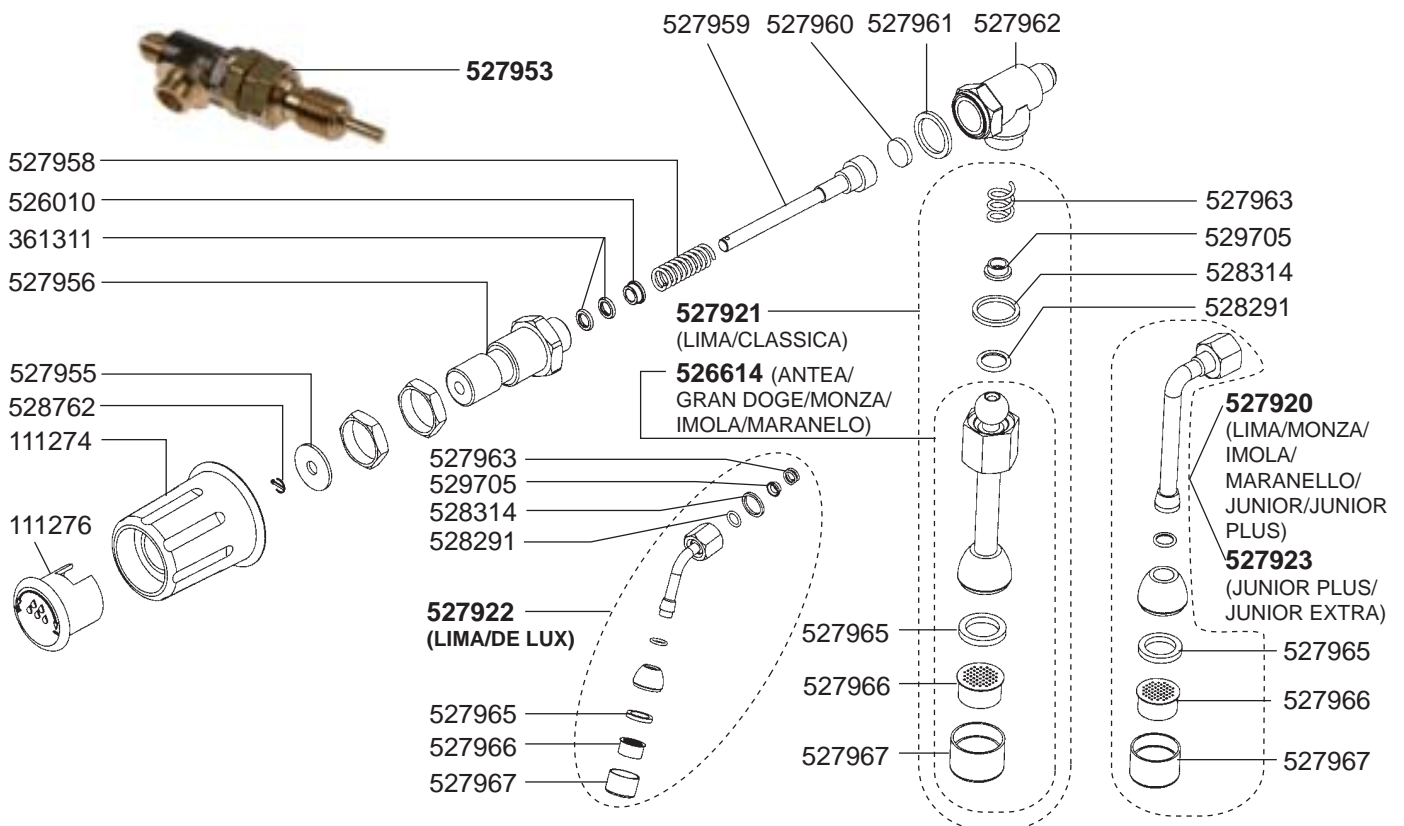
STEAM TAP LIMA/MONZA/IMOLA/MARANELLO/DE LUX/CLASSICA/ANTEA/  
GRAN DOGE/PERFETTA/JUNIOR



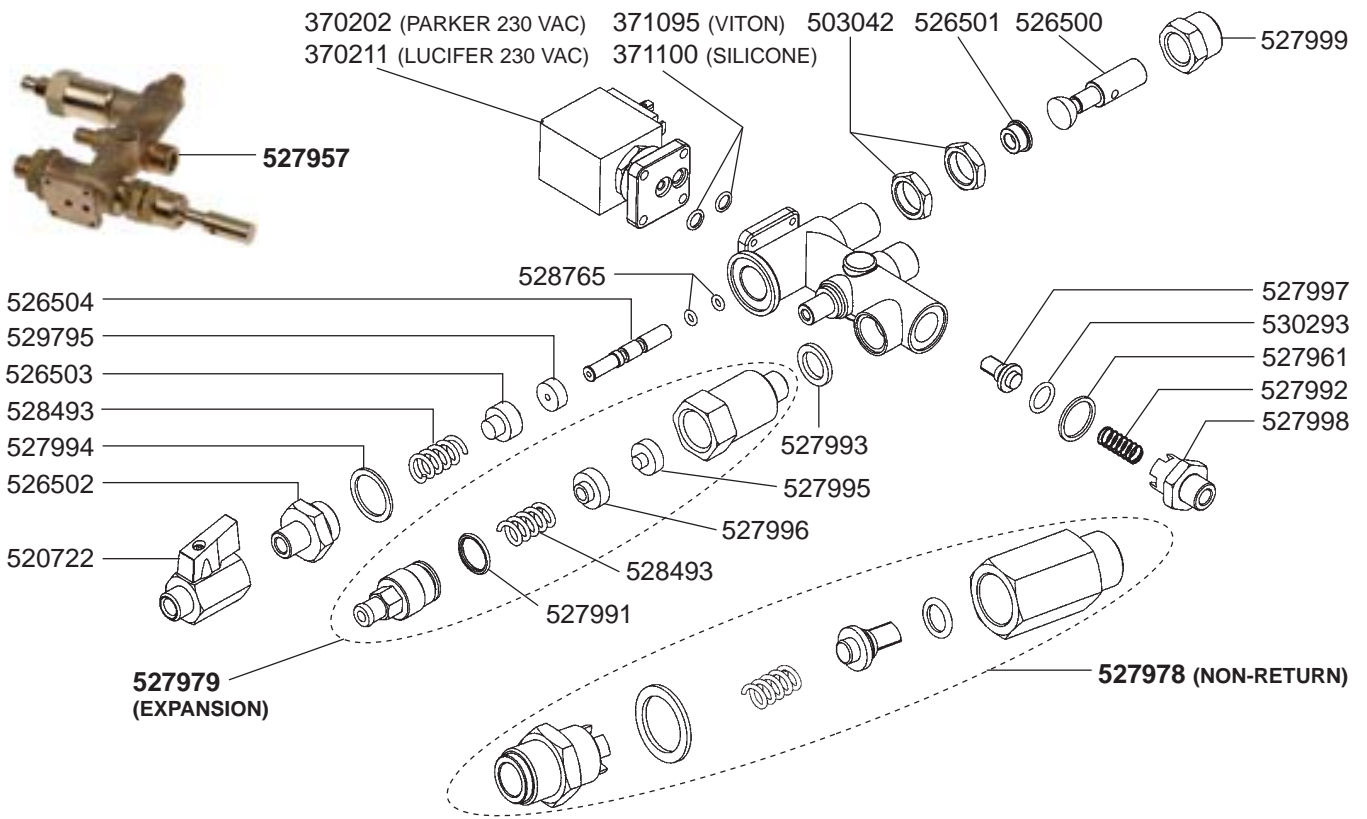
## STEAM TAP MONZA/IMOLA/MARANELLO



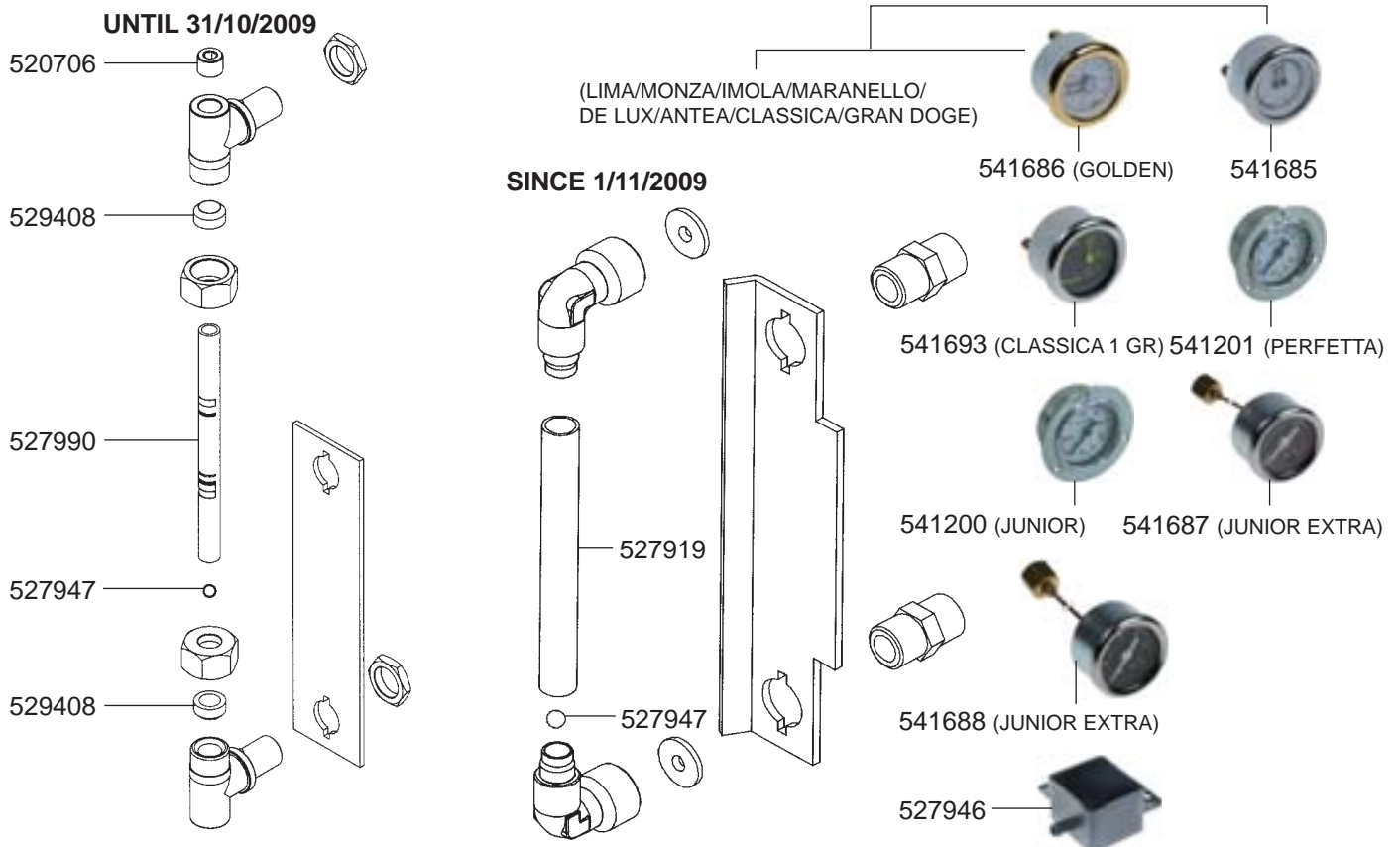
## WATER TAP LIMA/MONZA/IMOLA/MARANELLO/DE LUX/CLASSICA/ANTEA/GRAN DOGE/JUNIOR



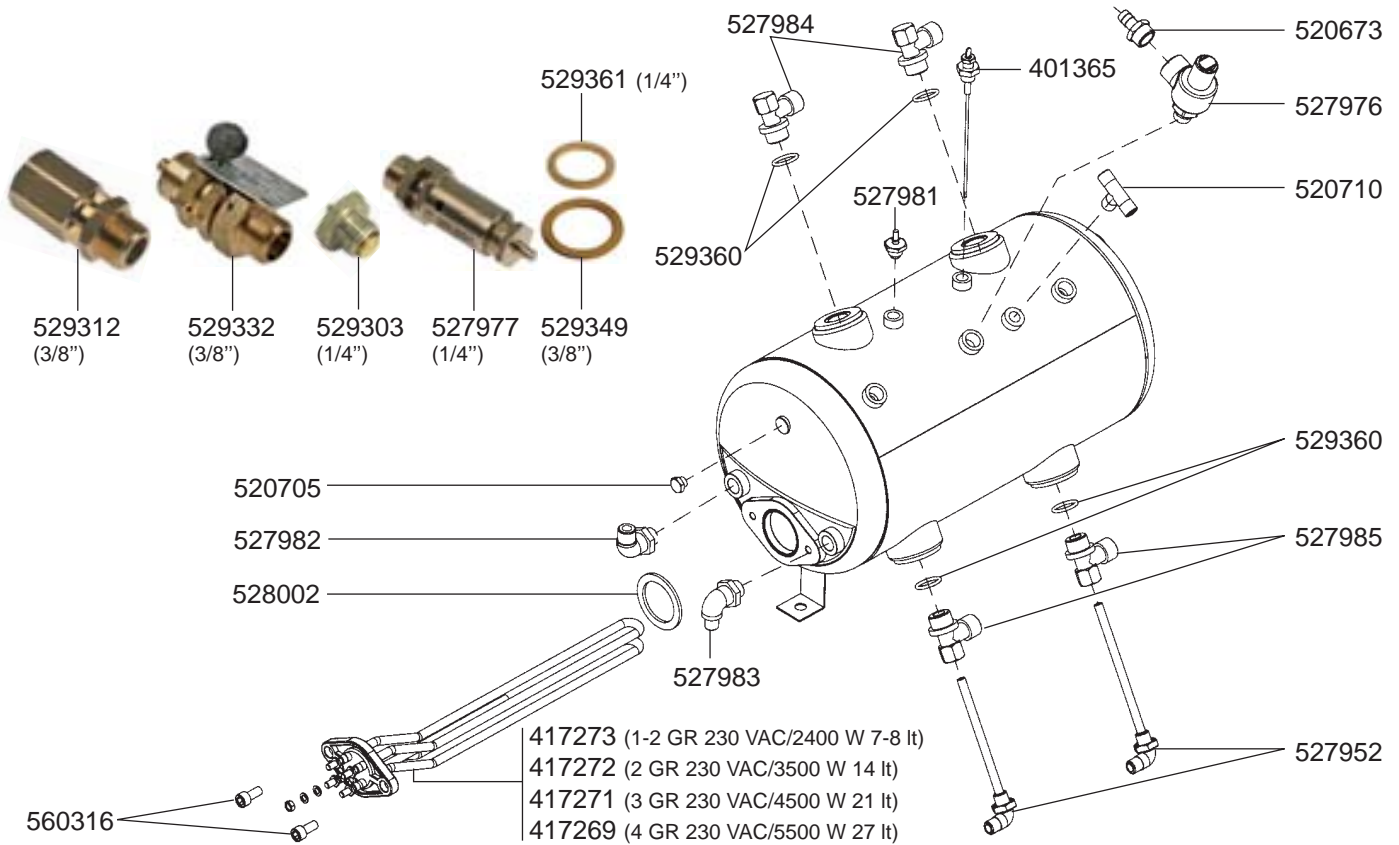
VALVES



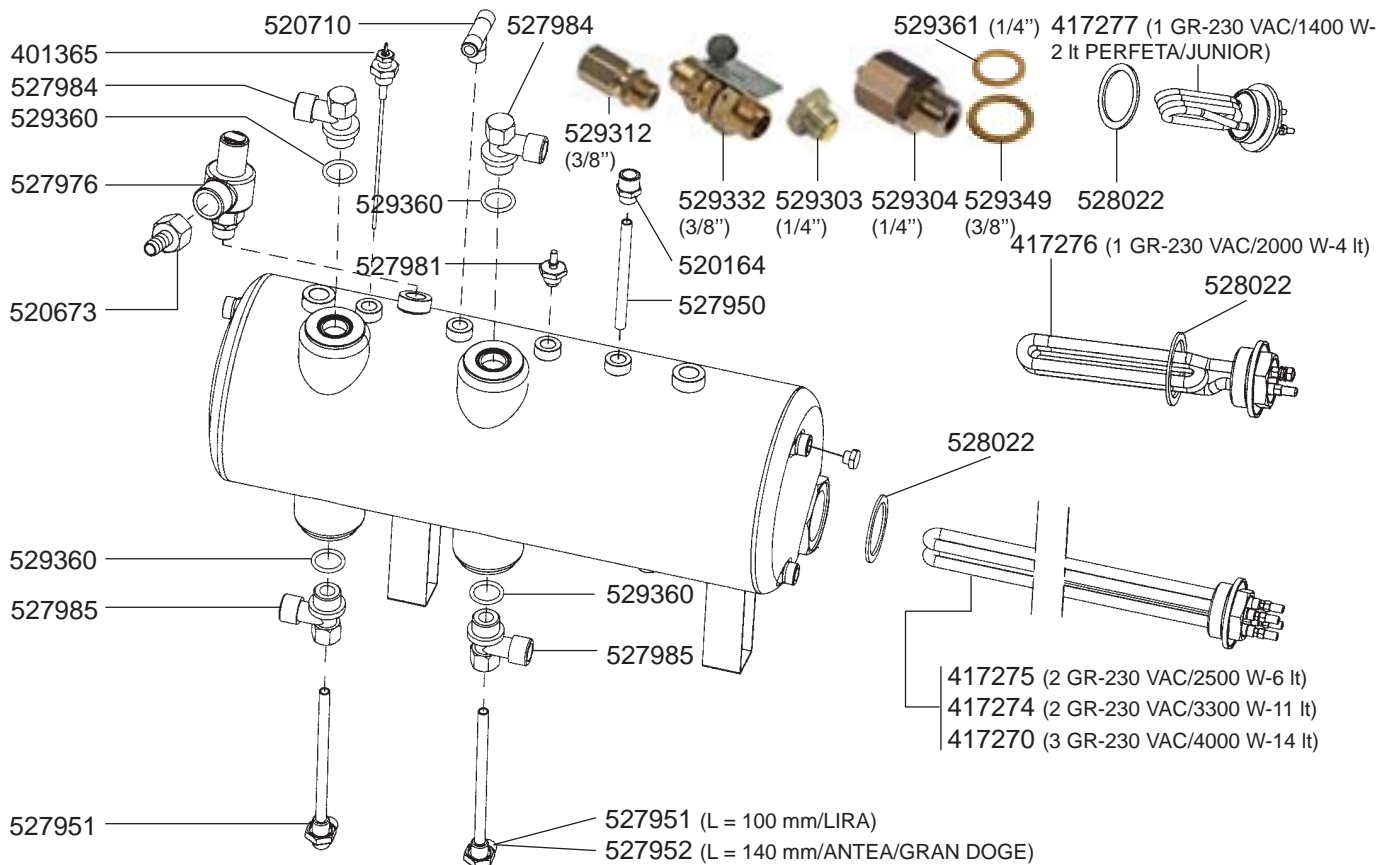
LEVEL INDICATOR/MANOMETERS/DRIP TRAY



## BOILER LIRA/CLASSICA/MONZA/IMOLA/MARANELLO/DE LUX VARIOUS



## BOILER LIRA 6-11-14lt/ANTEA/GRAN DOGE VARIOUS



**BOILER LIRA 2-3-4GR VARIOUS**

**ELECTRONIC LIRA 2/3/4 GR**



402257



402259



347205



301001 (RED)



402241  
(GICAR REF. 9.5.25.98G 01)



359476 (RED)



359475 (GREEN)



375494



347208 (20 A)



347209 (25 A)



347210 (32 A)



347214

**SWITCH MOD. LIRA 2/3/4 GR**



347206



301001 (RED)



402103  
(GICAR REF. 9.1.40.71G)



359476 (RED)



359475 (GREEN)



375494



347208 (20 A)



347209 (25 A)



347210 (32 A)



347214

**BOILER LIRA 2-3-4GR/LIRA 1GR VARIOUS**

**MANUAL GROUP MOD.**



345639



301001 (RED)



402103  
(GICAR REF. 9.1.40.71G)



359475 (GREEN)



375494



347208 (20 A)



347209 (25 A)



347210 (32 A)



347214

**ELECTRONIC 1 GR 4 LT**



402257



402245  
(GICAR REF. 9.5.17.84G 01)



359476 (RED)



359475 (GREEN)



402223



347198 (20 A)



346100 (20 A)

## ELECTRICAL COMPONENTS LIRA 1GR

### SWITCH MOD. 1 GR 4 LT



347206

402234  
(GICAR REF. 9.1.29.05G 00)

359476 (RED)

359475 (GREEN)

347198

### ELECTRONIC 1 GR 7 LT



402257

347205  
(GICAR REF. 9.5.17.84G 01)

402245

359476 (RED)

359475 (GREEN)

375494

346100 (20 A)

### SWITCH MOD. 1 GR 7 LT



347206

402103  
(GICAR REF. 9.1.40.71G)

359476 (RED)

359475 (GREEN)

375494

346100 (20 A)

## ELECTRICAL COMPONENTS DE LUX

### ELECTRONIC



402258

347206

301001 (RED)

402241  
(GICAR REF. 9.5.25.98G 01)

359476 (RED)

359475 (GREEN)

375494

347208 (2/3 GR)

347209 (3 GR)

347210 (4 GR)

347215

### SWITCH MOD.



347206

301001 (RED)  
(GICAR REF. 9.1.40.71G)

402103

359476 (RED)

359475 (GREEN)

375494

347208 (2/3 GR)

347209 (3 GR)

347210 (4 GR)

347215



ELECTRICAL COMPONENTS DE LUX/PERFETTA

MANUAL GROUP MOD.



345639



301001 (RED)



402103  
(GICAR REF. 9.1.40.71G)



359476 (RED)



359475 (GREEN)



375494



347208 (2/3 GR)



347209 (3 GR)



347210 (4 GR)



347215

PERFETTA



345639



346520



359476 (RED)



390691



347211



390323 (145°)



390690 (200°)

ELECTRICAL COMPONENTS MONZA/IMOLA/MARANELLO

ELECTRONIC



402258



402235



301001 (RED)



402241  
(GICAR REF. 9.5.25.98G 01)



359476 (RED)



359475 (GREEN)



375494



347208 (2/3 GR)



347210 (4 GR)

SWITCH MOD.



402260



301001 (RED)



402262  
(GICAR REF. 9.9.04.20G)



359476 (RED)



359475 (GREEN)



375494



347208 (2/3 GR)



347209 (3 GR)



347210 (4 GR)

## ELECTRICAL COMPONENTS GRAN DOGE

### ELECTRONIC



402236



346049



301001 (RED)



402231  
(GICAR REF. 9.5.22.80G00)



359476 (RED)



359475 (GREEN)



375494



347208

### SWITCH MOD.



345142



301001



402103  
(GICAR REF. 9.1.40.71G)



359476 (RED)



359475 (GREEN)



375494



347208

## ELECTRICAL COMPONENTS ANTEA/CLASSICA 2-3-4GR

### ELECTRONIC



402236



345160



301001 (RED)



402231  
(GICAR REF. 9.5.22.80G 00)



359476 (RED)



359475 (GREEN)



375494



346049

### SWITCH MOD.



345142



345160 (RED)



301001 (RED)



359476 (RED)



359475 (GREEN)



375494



402236



402244



301001 (RED)



402231  
(GICAR REF. 9.5.22.80G 00)



359476 (RED)



359475 (GREEN)



375494



347208 (2/3 GR)



347210 (4 GR)



347215

ELECTRICAL COMPONENTS CLASSICA 1-2-3-4GR

SWITCH MOD. ERGONOMIC 2/3/4 GR



345142



301001 (RED)



345160 (RED)



402103  
(GICAR REF. 9.1.40.71G)



359475 (GREEN)



375494

ELECTRONIC 1 GR



402244



301001 (RED)



402261  
(GICAR REF. 9.5.17.84G 00)



359475 (GREEN)



402223



347211

SWITCH MOD.



346049



347204



301001 (RED)



402234  
(GICAR REF. 9.1.29.05G00)



359475 (GREEN)



347211

ELECTRICAL COMPONENTS CLASSICA 2-3-4GR

SWITCH MOD.



402237



301001 (RED)



402232  
(GICAR REF. 9.9.02.49G)



359476 (RED)



359475 (GREEN)



375494



347208 (20 A)



347210 (30 A)



347215

LEVER DISPENSING MOD.



345639



301001 (RED)



402103  
(GICAR REF. 9.1.40.71G)



359476 (RED)



359475 (GREEN)



375494



347208 (20 A)



347210 (30 A)



347215

## ELECTRICAL COMPONENTS JUNIOR

### ELECTRONIC



402244



301001 (RED)



402261  
(GICAR REF. 9.5.17.84G 00)



359475 (GREEN)



402223



347211



541690

### SWITCH MOD.



346049



347204



301001 (RED)



402234  
(GICAR REF. 9.1.29.05G 00)



359475 (GREEN)



347211



541690

## ELECTRICAL COMPONENTS JUNIOR PLUS/JUNIOR EXTRA

### SWITCH MOD.



346519



402234  
(GICAR REF. 9.1.29.05G 00)



359475 (GREEN)



359476 (RED)



347211



541690

### LEVER DISPENSING MOD.



345639



346519



402234  
(GICAR REF. 9.1.29.05G 00)



347211



541690

### LEVER DISPENSING MOD.



345639



346519



402234  
(GICAR REF. 9.1.29.05G 00)



359474 (GREEN)



359473 (ORANGE)



347211



541690

ELECTRICAL COMPONENTS VARIOUS



400004



400256



400257



400258



541021  
(SIRAI, 30 AMP,  
3 POLES)



541724  
(SIRAI, 20 AMP,  
3 POLES)



541723  
(SIRAI, 20 AMP,  
2 POLES)



541453  
(PARKER)



370057  
(PARKER 230 VAC)  
370053  
(LUCIFER 230 VAC)



370062  
(PARKER)  
370061  
(LUCIFER)



370206  
(PARKER 230 VAC 1/8")  
370072  
(LUCIFER 230 VAC 1/8")



371029  
(PARKER 230 VAC)  
371031  
(LUCIFER 230 VAC)



371091



371090



371095  
(VITON)



371100  
(SILICONE)



# www.gastroparts.pl



**GASTROPARTS Sp. J.**

Klonowica 37  
87-100 Toruń  
tel. +48 56 657 00 68  
fax +48 56 657 00 67  
gastroparts@gastroparts.pl

